

# GUANGZHOU DIRTMAX MOTORSPORTS CO., LTD

ADD: NO.5, HUIJING ROAD, HUIMEI XINCUN, XINTANG TOWN, ZENGCHENG, GUANGZHOU, PRC  
TEL: 0086-20-320=911533 FAX: 0086-20-32916033 WWW.DIRTMAX.COM E-MAIL:SALES@DIRTMAX.COM

## 目 录 (INDEX TO ENGINE GROUP) 140CC

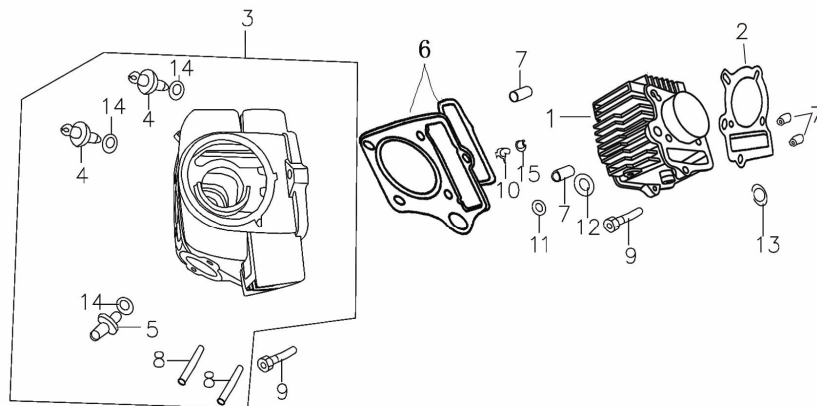
E-1	气缸组件 CYLINDER ASSY	1
E-2	气缸头 Cylinder Head	2-3
E-3	凸轮轴总成 CAMSHAFT ASSY	4
E-4	时规链 TIME CHAIN	5
E-5	左、右箱体 CRANKCASE	6
E-6	曲轴总成 CRANKSHAFT	7
E-7	右边盖 CRANKCASE COVER	8
E-8	左曲轴箱盖 磁电机 Left Crankcase Cover & Magnetio	9
E-9	离合器组件 CLUTCH COMPONENT PART	10
E-10	变速鼓组件 SHIFTING MOTIVATOR	11-12
E-11	起动轴组合 START ASSY	13
E-12	主、副轴组件 SLOWING DOWN SUBASSEMBLY	14-15
E-13	油泵总成 PUMP ASSY	16
E-14	平衡轮组件 BALANCE WHEEL ASSY	17

# GUANGZHOU DIRTMAX MOTORSPORTS CO., LTD

ADD: NO.5, HUIJING ROAD, HUIMEI XINCUN, XINTANG TOWN, ZENGCHENG, GUANGZHOU, PRC  
 TEL: 0086-20-320=911533 FAX: 0086-20-32916033 WWW.DIRTMAX.COM E-MAIL:SALES@DIRTMAX.COM

E-1 气缸组件

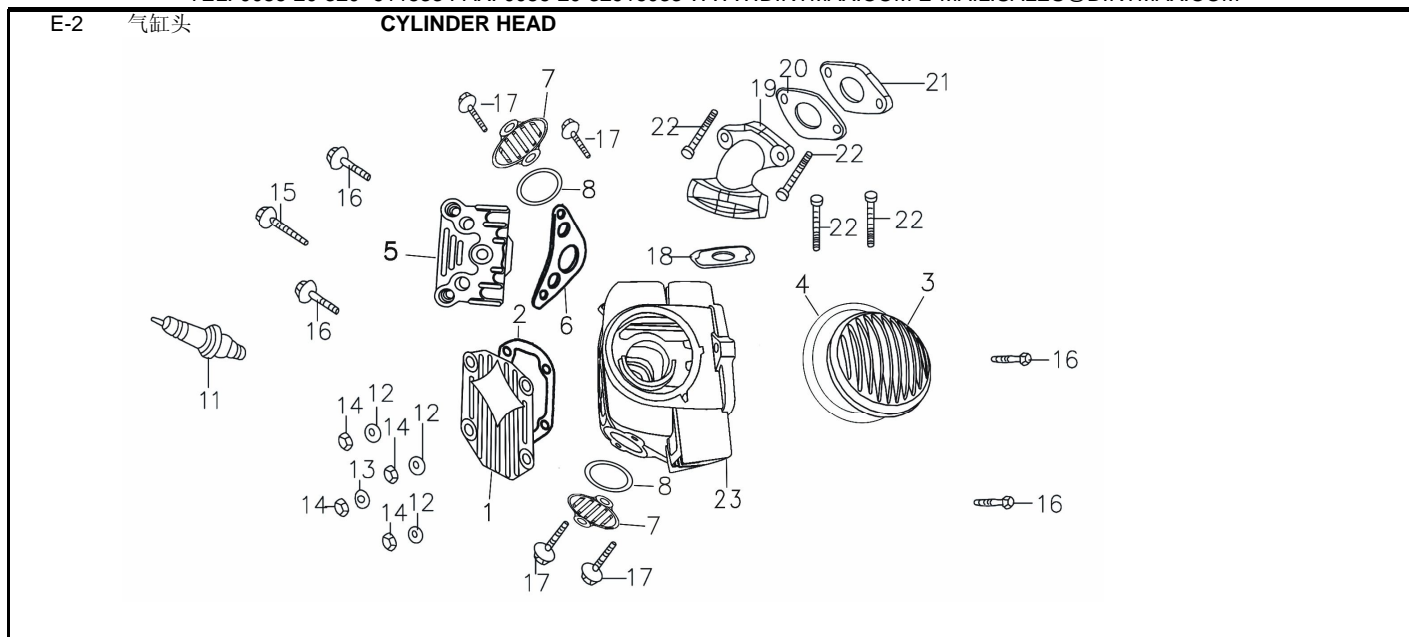
## CYLINDER ASSY



序号 Ref.No.	零部件编码 Part No.	零部件名称	Description	数量 Quantity	备注 Remark
1	2081A038	气缸体	CYLINDER BODY	1	14
2	208B010	气缸体密封垫	CYLINDER BODY SEAL PACKING	1	0.1
3	208A000	气缸头组件	CYLINDER HEAD ASSY	1	22
4	D00A001	进气门导管	SUCTION-VALVE PIPE	2	1.5
5	D00A002	排气门导管	EXHAUST VALVE PIPE	1	1.5
6	208B008	气缸头密封垫组件	CYLINDER HEAD SEAL GASKET	1	1
7	97008012	定位销 8; 12	ASSEMBLING PIN 8 ; 12	4	0.02
8	208M036	双头螺栓M6; 38	BOLT M6; 38	2	0.12
9	GB5783	螺栓	BOLT	3	
10	D00L040	衬套	OIL SEAL	1	
11	208-1-11	衬套	OIL SEAL	1	
12	D00L033	矩形密封圈	RECTANGLE SEAL PING	1	
13	D00L035	矩形密封圈	RECTANGLE SEAL PING	1	
14	208-1-14	O型密封圈	O SHAPED SEAL RING	3	0.5
15	208-1-15	密封条	SEAL LVASHER	1	

# GUANGZHOU DIRTMAX MOTORSPORTS CO., LTD

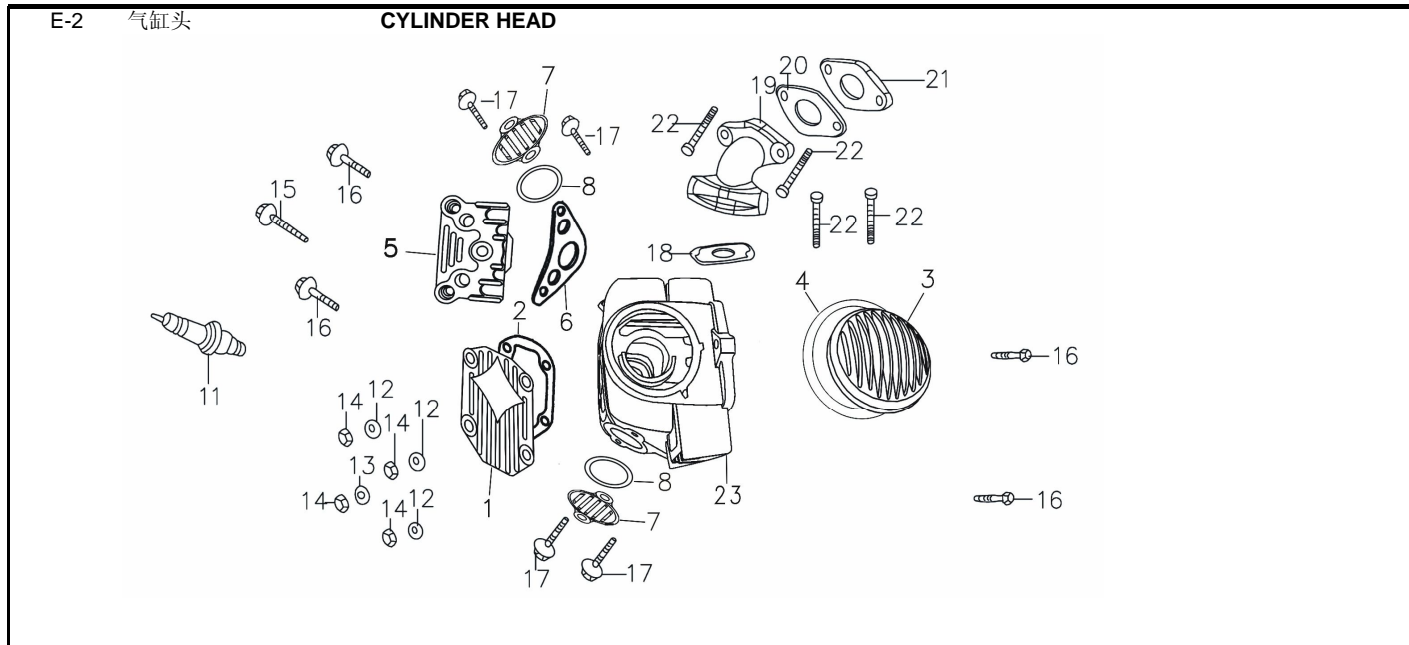
ADD: NO.5, HUIJING ROAD, HUIMEI XINCUN, XINTANG TOWN, ZENGCHENG, GUANGZHOU, PRC  
 TEL: 0086-20-320=911533 FAX: 0086-20-32916033 WWW.DIRTMAX.COM E-MAIL: SALES@DIRTMAX.COM



序号 Ref.No.	零部件编码 Part No.	零部件名称	Description	数量 Quantity	备注 Remark
1	208A036	气缸头盖	CYLINDER HEAD COVER	1	1.5
2	206B009	气缸头盖密封垫	CYLINDER HEAD COVER SEAL PACKING	1	0.05
3	208A033	气缸头左盖	CYLINDER HEAD LEFT COVER	1	1
4	E03B006	气缸头左盖密封圈	CYLINDER HEAD LEFT COVER SEAL PACKING	1	0.05
5	208A035	气缸头右盖	CYLINDER HEAD RIGHT COVER	1	1
6	D00B007	气缸头右盖密封圈	CYLINDER HEAD RIGHT COVER SEAL RING	1	0.1
7	208A032	气门盖	VALVA COVER	2	3
8	D00C058	气门盖密封圈	SEAL FOR INTAKE VALVE	2	0.5
11	D001D021	NGK 火花塞	NGK SPARKING PLUG	1	2
12	E03L016	垫圈	CUSHION RING	3	
13	E03L008	垫圈	CUSHION RING	1	
14	923H070000BCR	螺母	NUT	4	0.2
15	GB5787	螺栓	BOLT	1	
16	GB70	内六角螺栓	SCREW	4	

# GUANGZHOU DIRTMAX MOTORSPORTS CO., LTD

ADD: NO.5, HUIJING ROAD, HUIMEI XINCUN, XINTANG TOWN, ZENGCHENG, GUANGZHOU, PRC  
 TEL: 0086-20-320=911533 FAX: 0086-20-32916033 WWW.DIRTMAX.COM E-MAIL: SALES@DIRTMAX.COM



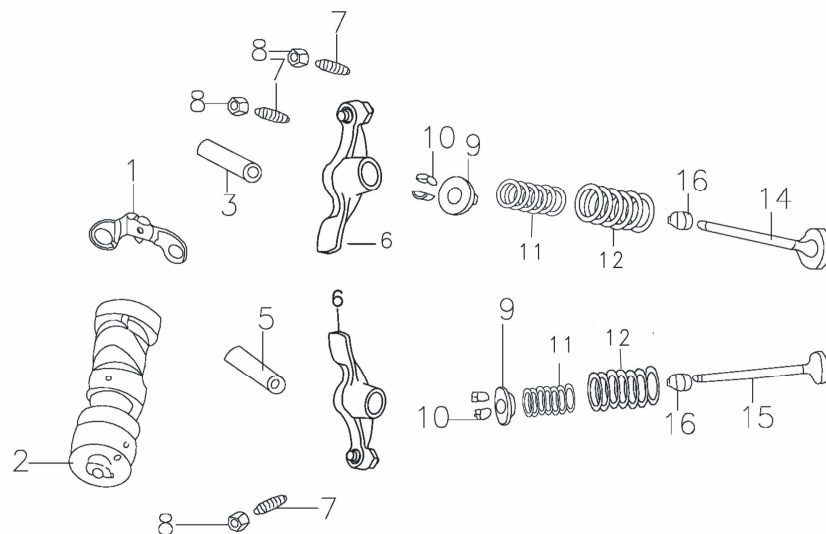
序号 Ref.No.	零部件编码 Part No.	零部件名称	Description	数量 Quantity	备注 Remark
17	GB5787	带盘螺栓	PLATE BOLT	6	0.1
18	208B030	进气管密封垫	SEAL PACKING FOR THE INTAKE	1	0.1
19	L00JQ214	进气管	INTAKE	1	2
20	F001B014	密封垫	SEAL PACKING	1	0.1
21	F00C039	隔热垫	CARBURETOR SEAL PACKING	1	0.02
22	GB5787	带盘螺栓	PLATE BOLT	4	
23	208A000	气缸头总成	CYLINDER HEAD ASSY	1	22

# GUANGZHOU DIRTMAX MOTORSPORTS CO., LTD

ADD: NO.5, HUIJING ROAD, HUIMEI XINCUN, XINTANG TOWN, ZENGCHENG, GUANGZHOU, PRC  
 TEL: 0086-20-320=911533 FAX: 0086-20-32916033 WWW.DIRTMAX.COM E-MAIL: SALES@DIRTMAX.COM

E-3 凸轮轴总成

CAMSHAFT ASSY



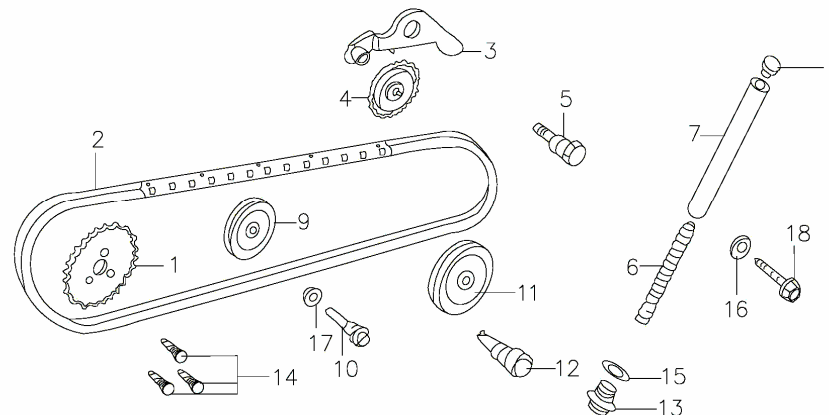
序号 Ref.No.	零部件编码 Part No.	零部件名称	Description	数量 Quantity	备注 Remark
1	D00F013	单向器锁止板组合	ISOLATOR LOCKER ASSEMBLY	1	
2	208F020	凸轮轴组件	CAMSHAFT SUBASSEMBLY	1	3
3	D00F015	进气摇臂轴	AIR-IN ROCKER ARM SHAFT	1	
5	D00F015	摇臂轴	ROCKER ARM SHAFT	1	0.5
6	D00F000	气门摇臂	ROCKER ARM, VALVE	2	1
7	A00F001	气门调节螺钉	AIR VALVE ADJUSTING SCREW	2	
8	A00F002	气门调节螺母	AIR VALVE ADJUSTING NUT	2	
9	D00F034	气门内外弹簧座	UP SPRING SEAT	2	0.5
10	D00F033	气门锁夹	AIR VALVE LOCKER	2	0.1
11	208H004	气门内弹簧	INNER SPRING, VALVE	2	0.2
12	208H003	气门外弹簧	OUTER SPRING, VALVE	2	0.2
14	208F045	进气门	INDUCTION VALVE	2	1.5
15	208F039	排气门	EXHAUST VALVE	1	1.5
16	D00C043	油封	VALVE STEM SEAL	2	0.25

# GUANGZHOU DIRTMAX MOTORSPORTS CO., LTD

ADD: NO.5, HUIJING ROAD, HUIMEI XINCUN, XINTANG TOWN, ZENGCHENG, GUANGZHOU, PRC  
 TEL: 0086-20-320=911533 FAX: 0086-20-32916033 WWW.DIRTMAX.COM E-MAIL: SALES@DIRTMAX.COM

E-4 时规链

## TIME CHAIN



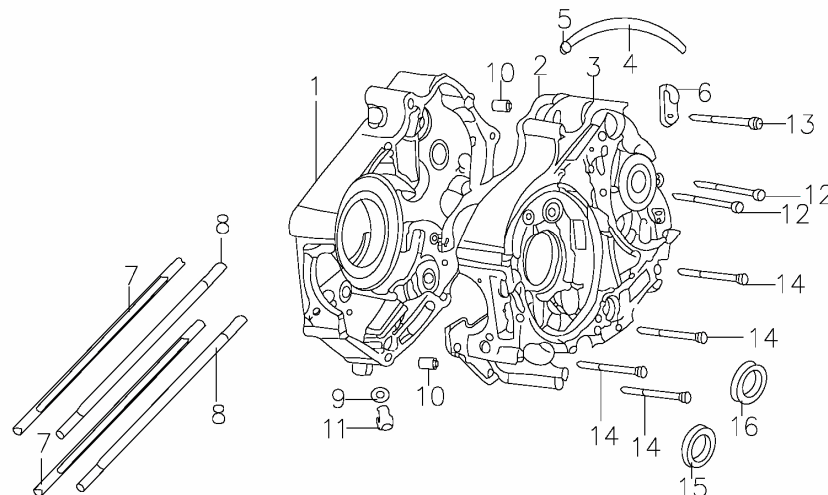
序号 Ref.No.	零部件编码 Part No.	零部件名称	Description	数量 Quantity	备注 Remark
1	208F011	正时从动链轮	TIMING DRIVEN SPROCKET	1	0.3
2	E03F012	正时链条	TIMING CHAIN	1	2
3	D00F043	链条张紧臂组件	CHAIN TENSION ARM SUBASSEMBLY	1	0.3
4	D00C020	链条张紧滚轮组合	CHAIN TENSION CONTACT ROLLER ASSEMBLY	1	0.3
5	D00F044	链条张紧臂芯轴	CHAIN TENSION ARM MANDREL	1	0.3
6	D00H006	链条张紧杆弹簧	CHAIN TENSION STUD SPRING	1	0.1
7	D00F042	链条张紧杆组件	CHAIN TENSION STUD SUBASSEMBLY	1	0.5
8	D00C022	链条张紧杆头	CHAIN TENSION STUD HEAD	1	
9	E03C023	无芯导向轮	GUIDE WHEEL WITHOUT CORE	1	
10	D00F048	导向滚轮销	GUIDE ROLLER PIN	1	
11	E04C021	链条张紧滚轮 2	CHAIN TENSION CONTACT ROLLER II	1	
12	E04F041	链条张紧滚轮 2 销轴	CHAIN TENSION CONTACT ROLLER II PIN	1	
13	D00E025	密封螺栓	SEAL BOLT	1	
14	578305012	六角螺栓M5j 12	BOLT M5j 12	3	
15	D00L021	铝垫圈14	ALUMINUM WASHER 14	1	
16	208-4-16	垫圈	WASHER	1	
17	D00L019	铝垫圈8	ALUMINUM WASHER 8	1	
18	D00L020	螺栓	BOLT	1	

# GUANGZHOU DIRTMAX MOTORSPORTS CO., LTD

ADD: NO.5, HUIJING ROAD, HUIMEI XINCUN, XINTANG TOWN, ZENGCHENG, GUANGZHOU, PRC  
 TEL: 0086-20-320=911533 FAX: 0086-20-32916033 WWW.DIRTMAX.COM E-MAIL:SALES@DIRTMAX.COM

E-5 左、右箱体

## CRANKCASE



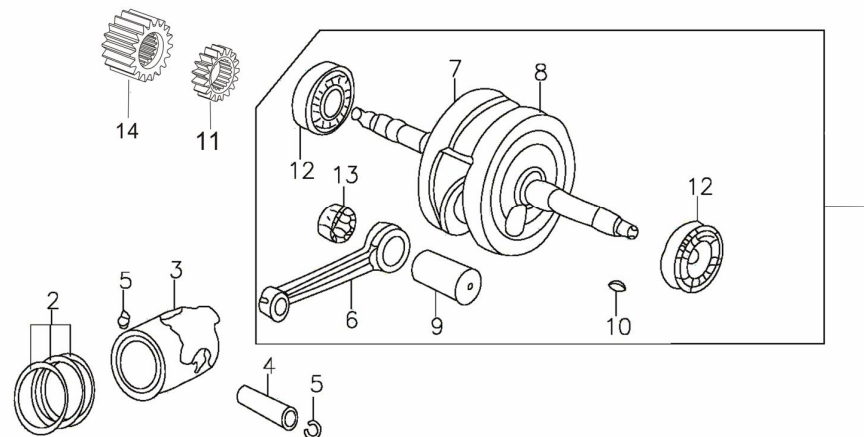
序号 Ref.No.	零部件编码 Part No.	零部件名称	Description	数量 Quantity	备注 Remark
1	208A020	右曲轴箱体	RIGHT CRANKCASE BODY	1	12
2	E13B005	曲轴箱密封垫	CRANKCASE SEALED PACKING	1	0.5
3	208A010	左曲轴箱体	LEFT CRANKCASE BOGY	1	18
4	F00C024	通气管	BREATHING PIPE	1	0.5
5	D00L014	溢流管夹	OVERFLOW PIPE CLIP	1	0.1
6	D00L039BCR	高压线夹	PIPE CLAMPING	1	0.1
7	206M001	汽缸双头螺栓 A	CYLINDER TRAPPED STUD(A)	2	1
8	206M002	汽缸双头螺栓 B	CYLINDER TRAPPED STUD (B)	2	1
9	D00L021	垫圈	WASHER	1	
10	97010014	定位销	ASSEMBLING PIN	2	0.02
11	D00E026BX	放油螺栓	DISCHARGING OIL PLUG SCREW	1	0.12
12	GB5787	螺栓	BOLT	2	
13	GB5787	螺栓	BOLT	1	
14	GB5787	螺栓	BOLT	4	
15	D001C008	油封	WASHER	1	
16	D00C026	油封	WASHER	1	

# GUANGZHOU DIRTMAX MOTORSPORTS CO., LTD

ADD: NO.5, HUIJING ROAD, HUIMEI XINCUN, XINTANG TOWN, ZENGCHENG, GUANGZHOU, PRC  
 TEL: 0086-20-320=911533 FAX: 0086-20-32916033 WWW.DIRTMAX.COM E-MAIL: SALES@DIRTMAX.COM

E-6 曲轴总成

## CRANKSHAFT



序号 Ref.No.	零部件编码 Part No.	零部件名称	Description	数量 Quantity	备注 Remark
1	208J000	曲柄连杆组件	CRANK CONNECTING ROD	1	20
2	208J013	活塞环组合	PISTON RING SET	1	2
3	208J014	活塞	PISTON	1	4
4	208J012	活塞销	PISTON PIN	1	0.3
5	D00J011	活塞销挡圈	PISTON PIN SHIELD RING	2	0.01
6	208J025	连杆	CONNECTING ROD LEVEL	1	
7	208J005	右曲柄	RIGHT-HAND CRANKSHAFT	1	
8	208J006	左曲柄	LEFT-HAND CRANK SHAFT	1	
9	208J007	曲柄销	CRANK PIN	1	
10	208J001	半圆键	SEMICIRCULAR KEY	1	
11	E13E023	油泵驱动齿轮	OIL PUMP DRIVER GEAR	1	1
12	6304/P6	轴承	BEARING	2	1
13	208J008	连杆大头轴承	BEARING	1	
14	D04K015	主动齿轮	PRIMARY DRIVER GEAR	1	2.1

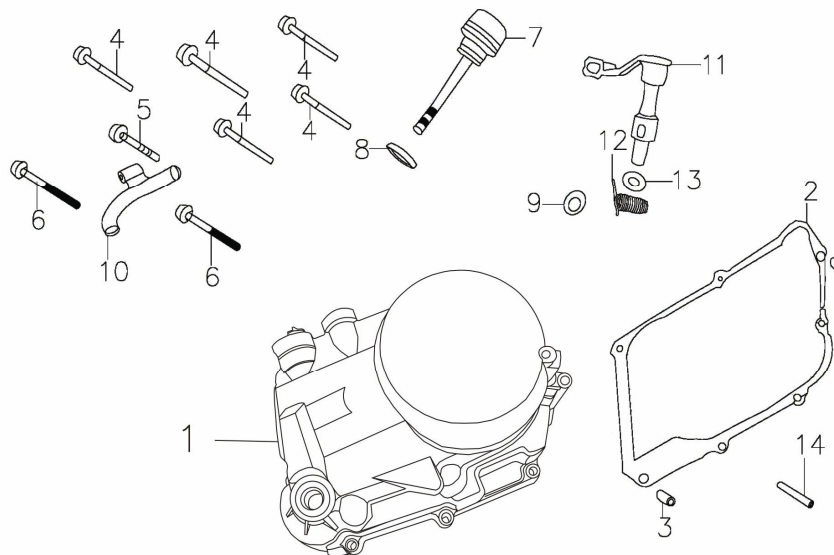


# GUANGZHOU DIRTMAX MOTORSPORTS CO., LTD

ADD: NO.5, HUIJING ROAD, HUIMEI XINCUN, XINTANG TOWN, ZENGCHENG, GUANGZHOU, PRC  
 TEL: 0086-20-320=911533 FAX: 0086-20-32916033 WWW.DIRTMAX.COM E-MAIL: SALES@DIRTMAX.COM

E-7 右边盖

## CRANKCASE COVER

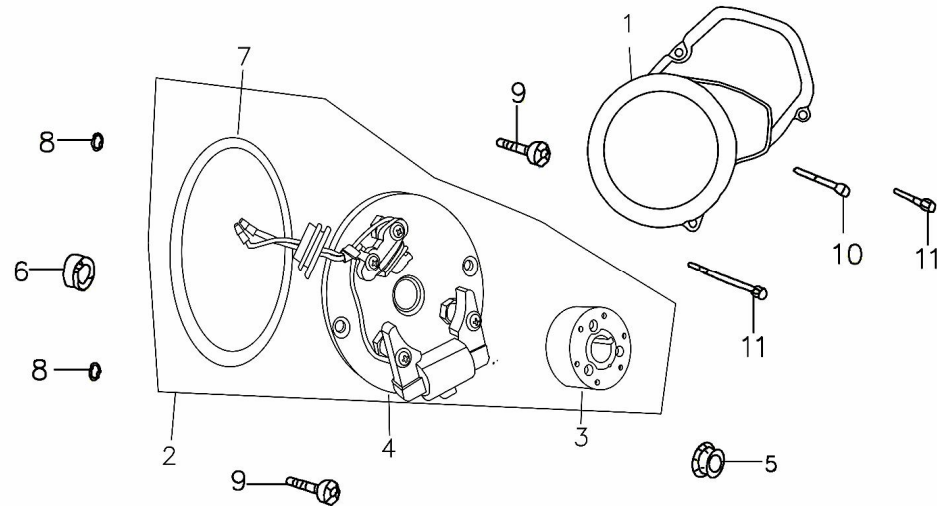


序号 Ref.No.	零部件编码 Part No.	零部件名称	Description	数量 Quantity	备注 Remark
1	E13A034	右曲轴箱盖	RIGHT CRANKCASE COVER	1	13
2	E13B002	密封垫	RIGHT CRANKCASE SEALED	1	0.5
3	97108012	定位销	PITCHED PIN	2	0.02
4	GB5787	螺栓	BOLT	5	
5	GB5787	螺栓	BOLT	1	
6	GB5787	螺栓	BOLT	2	
7	D00C038	机油标尺组合	OIL SCALE ASSEMBLY	1	0.21
8	D00C060	O型密封圈	O-SHAPED SEALED RING	1	0.03
9	D00C016	油封	OIL SEAL	1	
10	E13L031	离合器拉索定位支架	CLUTCH CABLE CLIP	1	0.7
11	E13G010BCR	离合器操纵杆	CLUTCH CONTROL LEVER	1	1.1
12	E13H007	操纵杆复位弹簧	CONTROL LEVER RETURN SPRING	1	
13	F04C030	油封	OIL SEAL	1	0.26
14	208-7-14	增油导管	OIL PIPE	1	

# GUANGZHOU DIRTMAX MOTORSPORTS CO., LTD

ADD: NO.5, HUIJING ROAD, HUIMEI XINCUN, XINTANG TOWN, ZENGCHENG, GUANGZHOU, PRC  
 TEL: 0086-20-320=911533 FAX: 0086-20-32916033 WWW.DIRTMAX.COM E-MAIL: SALES@DIRTMAX.COM

E-8 左曲轴箱盖 磁电机 **Left Crankcase Cover & Magneto**



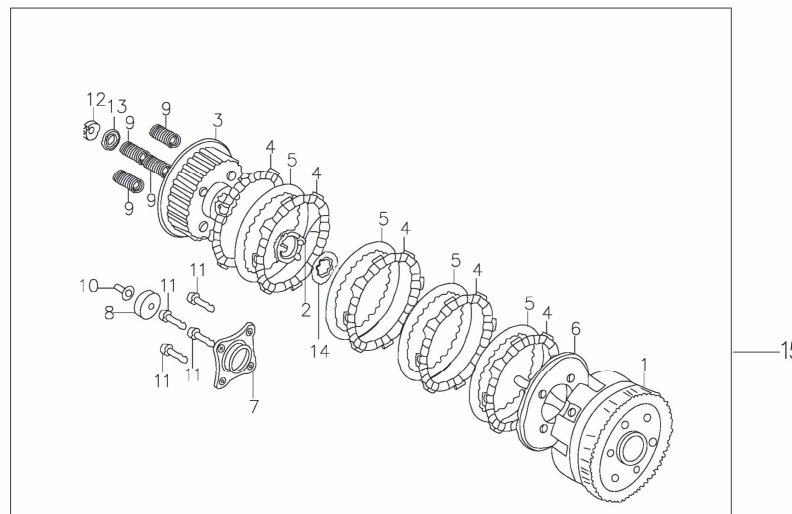
序号 Ref.No.	零部件编码 Part No.	零部件名称	Description	数量 Quantity	备注 Remark
1	A019A070	左箱盖	LEFT CRANKCASE COVER	1	5
2	208D050	磁电机总成	MAGNETRON	1	28
3	208D060	磁电机转子	FLYWHEEL	1	14
4	208D070	磁电机定子	STATOR MODULE	1	14
5	617710000BCR-1	六角螺母	HEX NUT	1	0.13
6	D00C028	油封	OIL SEAL	1	
7	D001C062	O 型密封圈	O-SHAPED SEAL	1	
8	F002C048	O 型密封圈	O-SHAPED SEAL	1	
9	GB818	螺钉	BOLT	2	
10	GB5787	螺栓	BOLT	1	
11	GB5787	螺栓	BOLT	2	

# GUANGZHOU DIRTMAX MOTORSPORTS CO., LTD

ADD: NO.5, HUIJING ROAD, HUIMEI XINCUN, XINTANG TOWN, ZENGCHENG, GUANGZHOU, PRC  
 TEL: 0086-20-320=911533 FAX: 0086-20-32916033 WWW.DIRTMAX.COM E-MAIL: SALES@DIRTMAX.COM

E-9 离合器组件

## CLUTCH COMPONENT PART



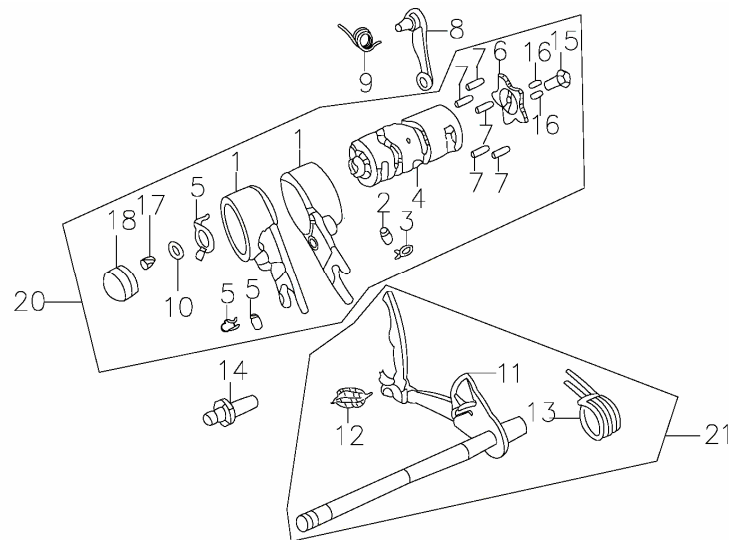
序号 Ref.No.	零部件编码 Part No.	零部件名称	Description	数量 Quantity	备注 Remark
1	208-9-1	离合器外罩组合	CLUTCH EXTERNAL ASSY	1	
2	208-9-2	定位环	HOLDING RING	1	
3	208-9-3	离合器中心套	CENTRE OF CLUTCH COVER	1	
4	208-9-4	离合器磨擦盘	CLUTCH FRICTION DISK	5	
5	208-9-5	离合器板	CLUTCH BOARD	4	
6	208-9-6	离合器压盘	CLUTCH PRESSURE PLATE	1	
7	208-9-7	离合器升板	CLUTCH LIFT SLAB	1	
8	208-9-8	轴承	BEARING	1	
9	208-9-9	离合器弹簧	CLUTCH SPRING	4	
10	208-9-10	离合器推杆	CLUTCH PUSH ROD	1	
11	208-9-11	螺栓	BOLT	4	
12	208-9-12	圆螺母	ROUND NUT	1	
13	208-9-13	碟型垫圈	DISK SHAPED WASHER	1	
14	208-9-14	花键垫圈	SPINE SHAFT WASHER	1	1.6
15	206G000	离合器总成	CLUTCH ASSEMBLY	1	15

# GUANGZHOU DIRTMAX MOTORSPORTS CO., LTD

ADD: NO.5, HUIJING ROAD, HUIMEI XINCUN, XINTANG TOWN, ZENGCHENG, GUANGZHOU, PRC  
 TEL: 0086-20-320=911533 FAX: 0086-20-32916033 WWW.DIRTMAX.COM E-MAIL: SALES@DIRTMAX.COM

E-10 变速鼓组件

## SHIFTING MOTIVATOR



序号 Ref.No.	零部件编码 Part No.	零部件名称	Description	数量 Quantity	备注 Remark
1	208-10-1	齿轮拨叉	GEAR SHIFT FORK	2	
2	208-10-2	导向销	GUIDE PIN	1	
3	208-10-3	弹簧夹	SPRING CLIP	1	
4	A00K066	变速鼓	SHIFTING DRUM	1	
5	A00D010	空档开关接触片	NEUTRAL GEAR SWITCH CONTACT	1	
6	A00K023	五星板	SPEED VARIATOR STRONGBACSTRONGBACK PIN	1	
7	208-10-7	定位板销钉	STRONGBACK PIN BOLT	5	
8	2081K070	变速鼓定位板组件	SPEED VARIATOR STRONGBACK SUBASSEMBLY	1	0.5
9	D00H009	定位板弹簧	STRONGBACK SPRING	1	
10	A00K062	垫圈	WASHER	1	
11	208-10-11	变档轴	SHIFTING SUBASSEMBLY	1	
12	208-10-12	弹簧	SPRING	1	
13	208-10-13	复位弹簧	RETURN SPRING	1	
14	D00K024	定位螺栓	ASSEMBLING SPIN	1	
15	GB5787	带盘螺栓	BOLT WITH SALVER	1	
16	208-10-16	定位销	ASSEMBLING PIN	2	

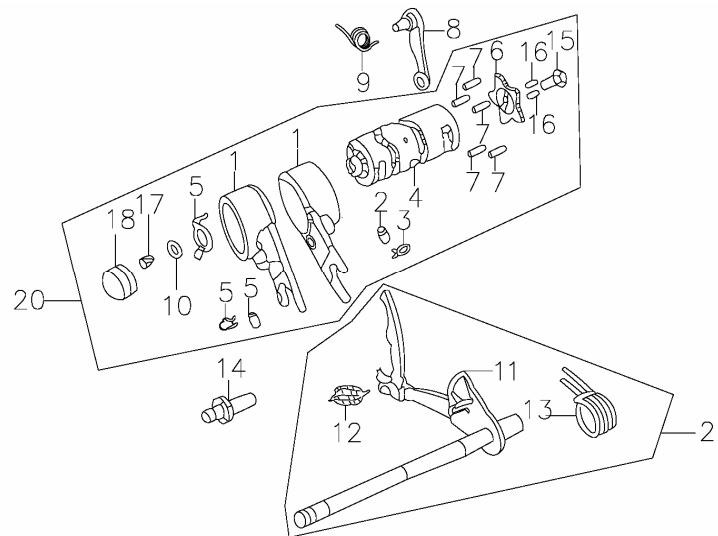
# GUANGZHOU DIRTMAX MOTORSPORTS CO., LTD

ADD: NO.5, HUIJING ROAD, HUIMEI XINCUN, XINTANG TOWN, ZENGCHENG, GUANGZHOU, PRC  
 TEL: 0086-20-320=911533 FAX: 0086-20-32916033 WWW.DIRTMAX.COM E-MAIL: SALES@DIRTMAX.COM

E-10 变速鼓组件

## SHIFTING MOTIVATOR

4.5



序号 Ref.No.	零部件编码 Part No.	零部件名称	Description	数量 Quantity	备注 Remark
17	A00L033	开关压板	SWITCH PRESSBOARD	1	
18	A00K082	动触头组合	MOVING CONTACT SUBASSEMBLY	1	
19	208-10-19	内六角螺栓	SOCKET HEAD CAP SCREW	1	
20	A004K060	变速鼓组合	SHIFTING YOKE VARIATOR	1	
21	C032K000	换挡臂组件	SHIFTING SUBASSEMBLY	1	1.6

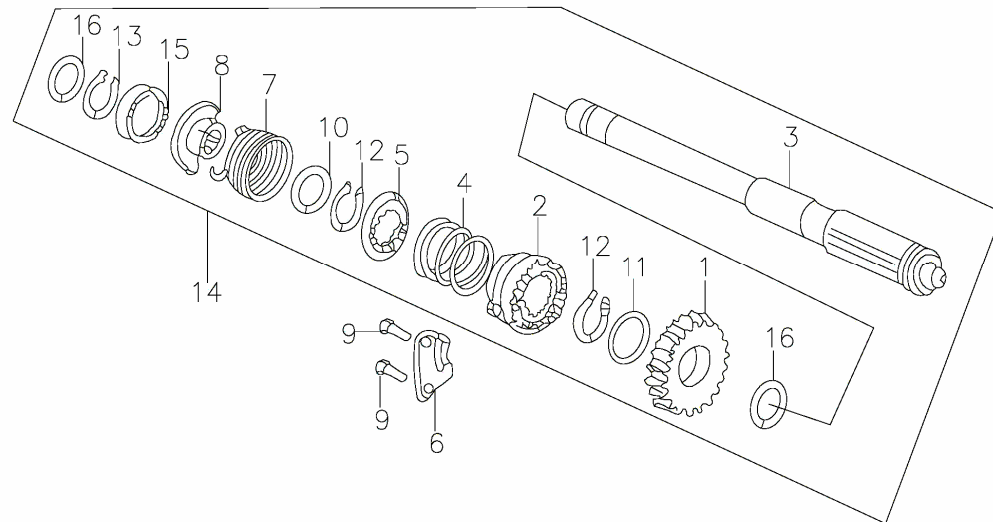
# GUANGZHOU DIRTMAX MOTORSPORTS CO., LTD

ADD: NO.5, HUIJING ROAD, HUIMEI XINCUN, XINTANG TOWN, ZENGCHENG, GUANGZHOU, PRC  
 TEL: 0086-20-320=911533 FAX: 0086-20-32916033 WWW.DIRTMAX.COM E-MAIL: SALES@DIRTMAX.COM

E-11 起动轴组合

START ASSY

7.5



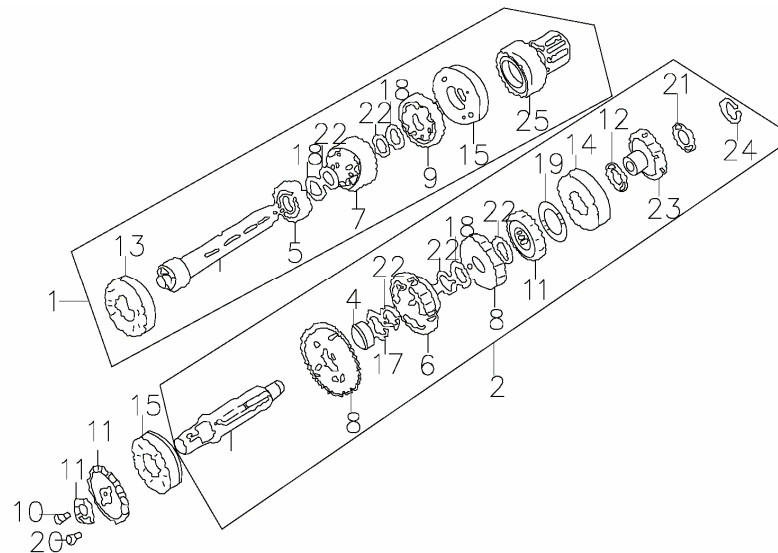
序号 Ref.No.	零部件编码 Part No.	零部件名称	Description	数量 Quantity	备注 Remark
1	208K025	起动齿轮	START GEAR	1	
2	208-11-2	起动棘轮	STARTING RATCHET WHEEL	1	
3	208-11-3	起动轴	STARTING SHAFT	1	
4	208-11-4	弹簧	SPRING	1	
5	208-11-5	棘轮弹簧座	RATCHET WHEEL SPRINGS SUPPORTING	1	
6	208-11-6	棘轮导向板	RATCHET WHEEL GUIDE RUNNER	1	
7	208-11-7	起动轴复位弹簧	STARTING SHAFT RETURN SPRING	1	
8	208-11-8	起动轴弹簧座	STARTING SHAFT SPRING SUPPORTING	1	
9	GB5783	螺栓	BOLT	2	
10	208-11-10	垫圈	WASHER	1	
11	208-11-11	垫圈	WASHER	2	
12	208-11-12	垫圈	WASHER	3	
13	208-11-13	护挡圈	SHIELD RING	1	
14	2081000	起动轴组合	STARTING SHAFT ASSEMBLY	1	
15	208-11-15	弹簧盖	SPRING COVER	1	
16	208-11-16	垫圈	WASHER	2	

# GUANGZHOU DIRTMAX MOTORSPORTS CO., LTD

ADD: NO.5, HUIJING ROAD, HUIMEI XINCUN, XINTANG TOWN, ZENGCHENG, GUANGZHOU, PRC  
 TEL: 0086-20-320=911533 FAX: 0086-20-32916033 WWW.DIRTMAX.COM E-MAIL: SALES@DIRTMAX.COM

E-12 主、副轴组件

## SLOWING DOWN SUBASSEMBLY



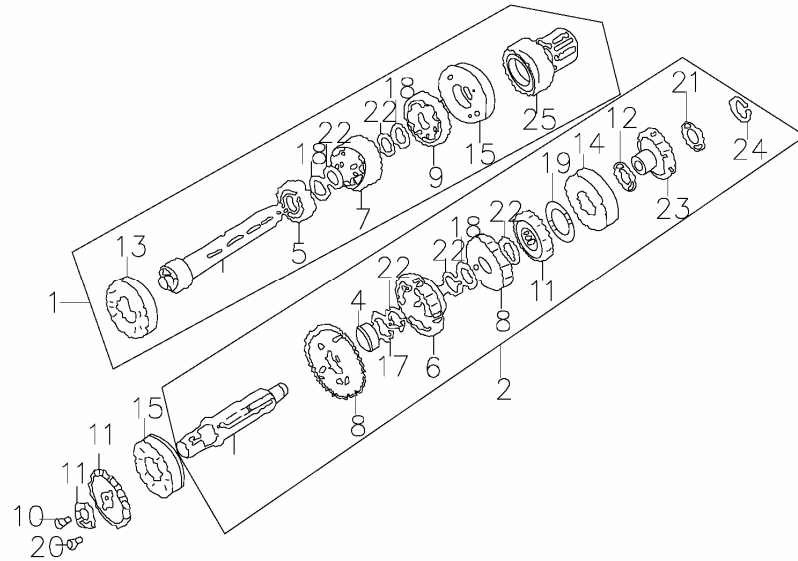
序号 Ref.No.	零部件编码 Part No.	零部件名称	Description	数量 Quantity	备注 Remark
1	E13K030	传动主轴 (不含轴承)	TRANSMISSION MAIN SHAFT	1	5.6
2	E13K040	传动副轴 (不含轴承)	TRANSMISSION COUNTERSHAFT	1	5.6
3	208-12-3	齿轮	GEAR WHEEL	1	
4	208-12-4	齿轮套	GEARED SLEEVE	1	
5	208-12-5	齿轮	GEAR WHEEL	1	
6	208-12-6	花键从动齿轮	SPLINE SHAFT DRIVER GEAR	1	
7	208-12-7	花键主动齿轮	SPLINE SHAFT MAIN DRIVEN GEAR	1	
8	208-12-8	齿轮	GEAR WHEEL	1	
9	208-12-9	齿轮	GEAR WHEEL	1	
10	208-12-10	花键齿轮	SPLINE SHAFT GEAR WHEEL	1	
11	A001K014	主动链轮	DRIVE SPROCKET	1	0.9
12	208-12-12	主动链轮卡圈	SRIVE SPROCKET CLOSING RING	1	
13	6001	轴承	BEARING	1	0.75
14	6002	轴承	BEARING	1	1.5
15	6203	轴承	BEARING	2	2
16	208-12-16	推力垫圈	THRUST WASHER	1	

# GUANGZHOU DIRTMAX MOTORSPORTS CO., LTD

ADD: NO.5, HUIJING ROAD, HUIMEI XINCUN, XINTANG TOWN, ZENGCHENG, GUANGZHOU, PRC  
 TEL: 0086-20-320=911533 FAX: 0086-20-32916033 WWW.DIRTMAX.COM E-MAIL: SALES@DIRTMAX.COM

E-12 主、副轴组件

## SLOWING DOWN SUBASSEMBLY



序号 Ref.No.	零部件编码 Part No.	零部件名称	Description	数量 Quantity	备注 Remark
17	208-12-17	花键垫圈	SPLINE SHAFT WASHER	1	
18	208-12-18	花键垫圈	SPLING SHAFT WASHER	3	
19	208-12-19	花键垫圈	SPLING SHAFT WASHER	2	
20	208-12-20	螺栓	BOLT	2	
21	208-12-21	推力垫圈	SPLING SHAFT WASHER	1	
22	208-12-22	挡圈	SHIELD RING	5	
23	208-12-23	起动过桥齿轮	STAR ROLLING GEAR	1	1.3
24	208-12-24	挡圈 15	SHIELD RING	1	0.05
25	208-12-25	离合器齿轮套	CLITCH GEAR SLEEVE	1	

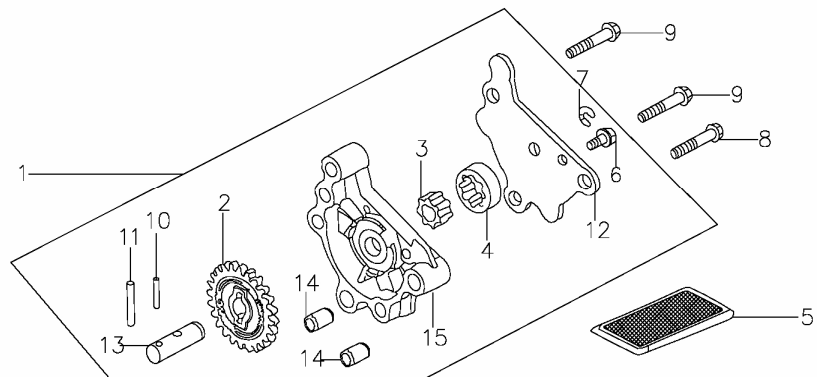


# GUANGZHOU DIRTMAX MOTORSPORTS CO., LTD

ADD: NO.5, HUIJING ROAD, HUIMEI XINCUN, XINTANG TOWN, ZENGCHENG, GUANGZHOU, PRC  
 TEL: 0086-20-320=911533 FAX: 0086-20-32916033 WWW.DIRTMAX.COM E-MAIL: SALES@DIRTMAX.COM

E-13 油泵总成

PUMP ASSY



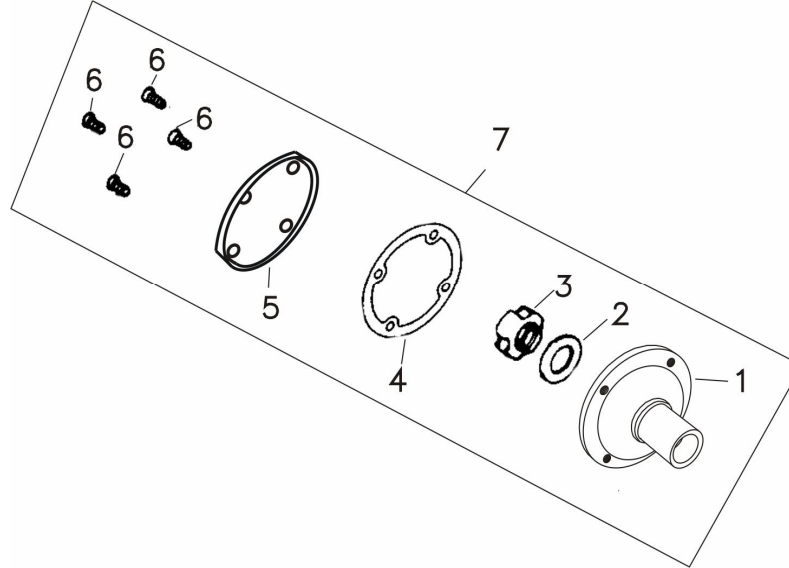
序号 Ref.No.	零部件编码 Part No.	零部件名称	Description	数量 Quantity	备注 Remark
1	E13E000	机油泵部件	OIL PUMP COMPONENTS	1	3.5
2	208-13-2	油泵从动齿轮	OIL PUMP DRIVER GEAR	1	
3	208-13-3	油泵内转子	OIL PUMP INNER ROTOR	1	
4	208-13-4	油泵外转子	OIL PUMP OUTER ROTOR	1	
5	D00C037	机油过滤网组件	OIL FILTER SUBASSEMBLY	1	0.06
6	208-13-6	带盘螺栓	PLATE BOLT	1	
7	208-13-7	挡圈	SHIELD RING	1	
8	GB5783	带盘螺栓	BOLT WITH SALVER	1	
9	GB5783	带盘螺栓	BOLT WITH SALVER	2	
10	208-13-10	销轴	PIN BEARING	1	
11	208-13-11	销轴	PIN BEARING	1	
12	208-13-12	油泵盖	OIL PUMP COVER	1	
13	208-13-13	油泵轴	OIL PUMP AXIS	1	
14	208-13-14	定位销	ASSEMBLING PIN	2	
15	208-13-15	油泵体	OIL PUMP BODY	1	

# GUANGZHOU DIRTMAX MOTORSPORTS CO., LTD

ADD: NO.5, HUIJING ROAD, HUIMEI XINCUN, XINTANG TOWN, ZENGCHENG, GUANGZHOU, PRC  
 TEL: 0086-20-320=911533 FAX: 0086-20-32916033 WWW.DIRTMAX.COM E-MAIL:SALES@DIRTMAX.COM

E-14 平衡轮组件

## BALANCE WHEEL ASSY



序号 Ref.No.	零部件编码 Part No.	零部件名称	Description	数量 Quantity	备注 Remark
1	208G082	平衡轮	BALANCE WHEEL	1	4
2	208-14-2	碟形垫圈	WASHER	1	1.6
3	208-14-3	锁紧螺母	LOCK NUT	1	
4	208-14-4	纸垫	PAPER WASHER	1	
5	208-14-5	平衡轮盖	BALANCE WHEEL COVER	1	
6	208-14-6	螺钉M5	BOLT M5	4	
7					
8					
9					
10					
11					
12					
13					
14					
15					