

# DAYTONA 150E ENGINE

## Owner's Manual

*DT150*

ENGINE No. DAYTONA150E091200000 –

ENGLISH MANUAL SECTION

Page 2 - 24

VERSION FRANCAISE

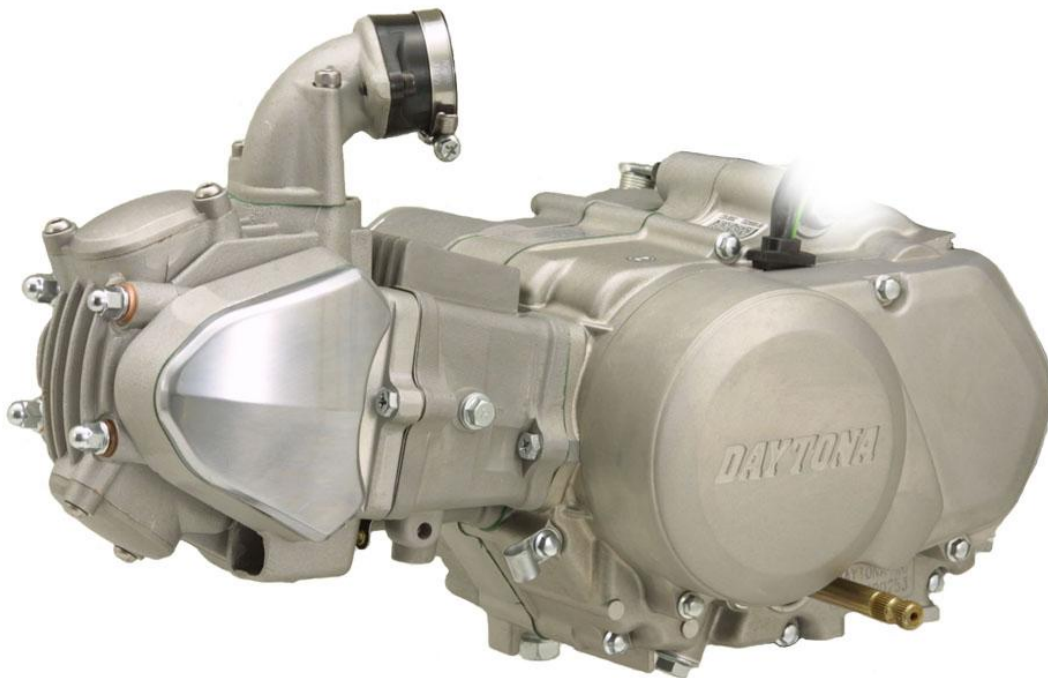
Page 25 - 47

PARTS CATALOGUE SECTION

Page 48 - 57

CATALOGUE DES PIECES DATAHEES

Page 48 - 57



**DAYTONA** corp.

# DAYTONA 150E ENGINE

## Owner's Manual



### INTRODUCTION

---

Congratulations on your purchase of a DAYTONA 150E Engine.

This manual explains operation, inspection, basic maintenance and tuning of the engine.

If you have any questions, please contact the dealer you purchased the engine/bike from.

Please read this manual very carefully before use.



### WARNING

1. DAYTONA 150E ENGINE is designed strictly FOR COMPETITION USE, ONLY ON A CLOSED COURSE. It is illegal to use this engine on any public road or highway. Off-road use on public space is also illegal. Please check local regulation before use.
2. This engine is to be used by an EXPERIENCED RIDER ONLY. Fatal accident may be caused unless it is used by experienced riders or maintained by professional and experienced mechanics.
3. This engine is to be maintained by professional and experienced mechanics. Serious damage may occur, otherwise.
4. This manual explains ONLY THE BASIC operation, inspection, maintenance and tuning, but it is customer's responsibility to maintain the engine to the best possible performance, depending on the circumstances of the time.

# DAYTONA 150E ENGINE

## Owner's Manual

### CUSTOMER'S RESPONSIBILITY & CUSTOMER SERVICE

---

#### **GENERAL EXCLUSIONS**

Any failures caused by the following reasons are NOT considered as the defects of Products.

- (1) Overheating due to improper engine oil temp. control



#### **WARNING**

**ENGINE OIL TEMPERATURE MUST BE CONTROLLED AT 90 DEGREES CELSIUS (194 DEGREES FAHRENHEIT) OR LOWER.**

**Serious damage will occur in the engine if engine oil temperature exceeds 90 degrees Celsius or 194 degrees Fahrenheit.**

**It is solely customer's responsibility to control the engine oil temperature.**

- (2) Installation of parts or accessories that is not originally equipped on Products.

This includes DAYTONA UPGRADE KIT PARTS as well, since those are designed for the top competition riders.

- (3) Abnormal strain, neglect, or abuse
- (4) Accident or collision damage
- (5) Modification to original parts
- (6) Lack of proper maintenance
- (7) Damage due to improper transportation or use

#### **THE CUSTOMER'S RESPONSIBILITY**

THE CUSTOMER'S RESPONSIBILITY shall be :

- (1) Operate and maintain Products as specified in the appropriate Owner's Manual

#### **CUSTOMER SERVICE**

If Products require services, you must take it to the authorized dealer, who is appointed by authorized local distributors of DAYTONA.

DAYTONA Corp. JAPAN is NOT in the position to take care of services of any kind with the customers or authorized dealers due to the contract with authorized local distributors.

# DAYTONA 150E ENGINE

## Owner's Manual

### CONTENTS

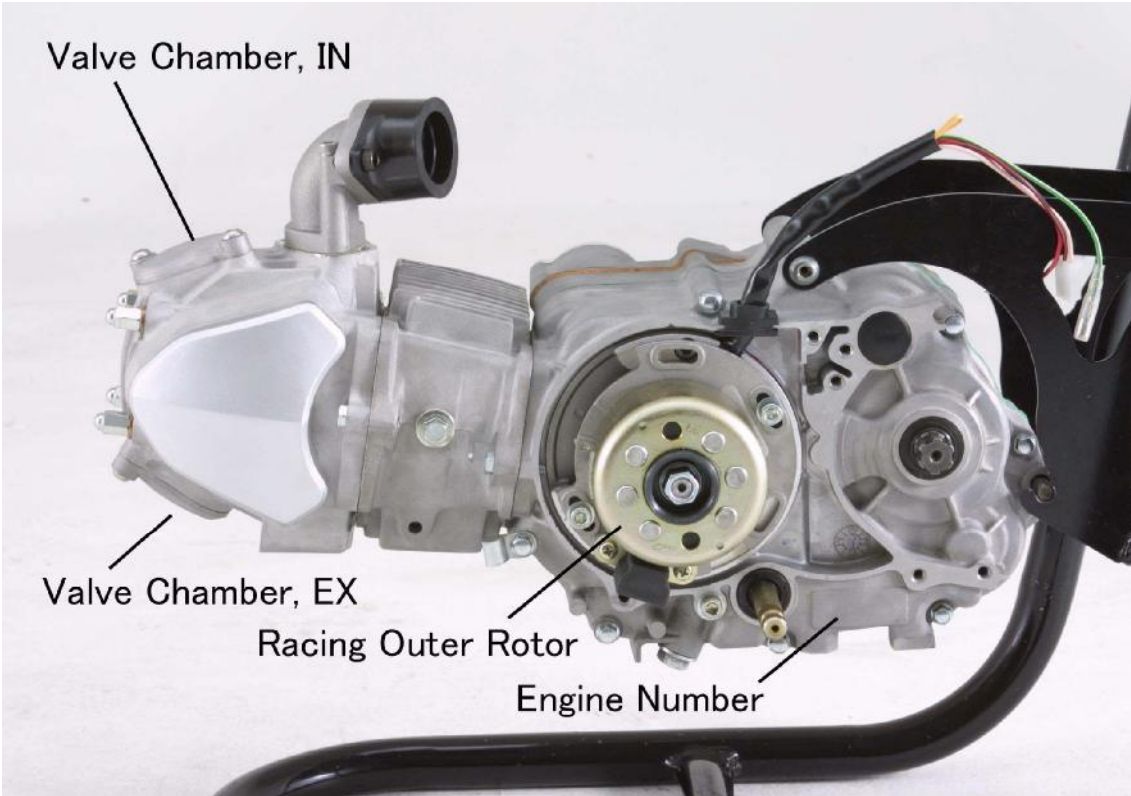
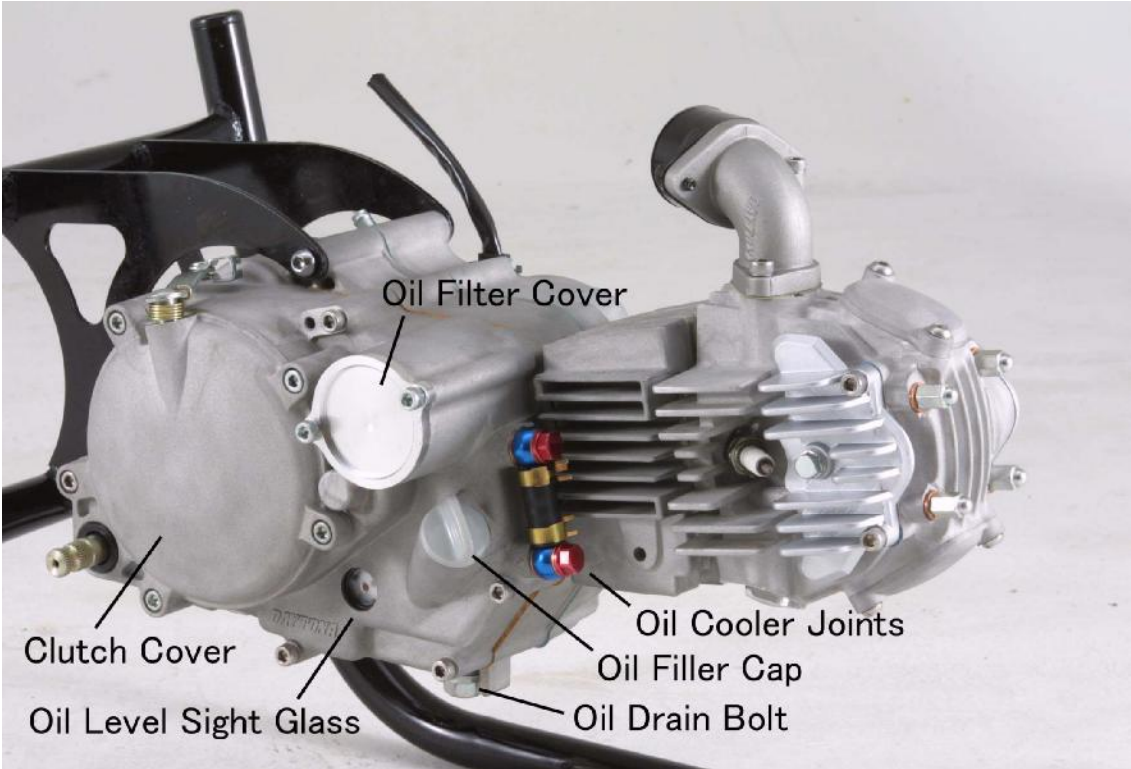
---

INTRODUCTION	Page 2
CUSTOMER'S RESPONSIBILITY & CUSTOMER SERVICE	Page 3
CONTENTS	Page 4
PART NAMES	Page 5
GENERAL SPECIFICATIONS	Page 6
MAINTENANCE SPECIFICATIONS	Page 7 – 10
MAINTENANCE INTERVALS	Page 11 - 13
PRE-OPERATION INSPECTION AND MAINTENANCE	Page 14
ENGINE OIL LEVEL INSPECTION	Page 14
CARBURETOR SETTING	Page 15 - 16
IGNITION TIMING SELECTION	Page 17
ENGINE OIL TEMPERATURE CONTROL	Page 18
ELECTRICAL DIAGRAM	Page 19
OPTIONAL PARTS	Page 20 - 21
UPGRADE KIT PARTS	Page 22 - 24
MANUAL IN FRENCH LANGUAGE	Page 25 - 47
PARTS CATALOGUE	Page 48 – 57

# DAYTONA 150E ENGINE

## Owner's Manual

### PART NAMES



# DAYTONA 150E ENGINE

## Owner's Manual

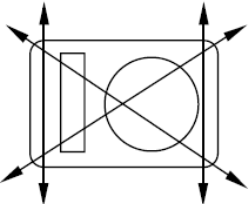
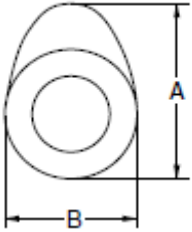
### GENERAL SPECIFICATIONS

ENGINE	
Engine Weight (Dry)	18.0 kg
Engine type	Air Cooled 4-stroke SOHC
Cylinder arrangement	Single cylinder, Horizontally mounted
Displacement	149.78 cm <sup>3</sup>
Bore × stroke	57.0 × 58.7 mm (2.244 × 2.311 in)
Compression ratio	12.5 : 1
Starting system	Kick (Kick pedal is NOT included in the Engine Kit)
Lubrication system	Wet sump
Recommended Engine Oil	SAE 10W-40 or higher grade API "SG" or higher grade
Engine oil capacity	
Periodic oil change	0.60 L
With oil filter replacement	0.65 L
Total amount	0.70 L
	* Need more amount of oil when oil cooler is in use
Spark plug	
Type/manufacturer	CR8HSA/NGK (resistance type)
Gap	0.7 ~ 0.8 mm (0.028 ~ 0.031 in)
Clutch type	Wet, Multi-plate 5-disc
Transmission	
Primary reduction system	Gear
Primary reduction ratio	67/18 (3.722)
Transmission type	4-Speed / (DT150BS type)
Gear ratio	(Counter / Main)
1st	34/13 (2.6153)
2nd	29/17 (1.7058)
3rd	26/20 (1.3000)
4 <sup>th</sup>	24/23 (1.0434)
GEAR SHIFT PATTERN	N-1-2-3-4
Electrical	
Ignition system	AC-CDI
Generator system	AC magneto

# DAYTONA 150E ENGINE

## Owner's Manual

### MAINTENANCE SPECIFICATIONS

Item	Standard	Limit
Cylinder head Warp limit 	----	0.05 mm (0.002 in)
Cylinder: Bore size Out of round limit	57.00 - 57.015mm (2.2441 – 2.2445) ----	---- 0.05 mm (0.002 in)
Camshaft: Drive method Cam dimensions 	Chain drive (Left)	----
Intake	"A" 26.49 – 26.61 mm (1.04291 – 1.0476 in) "B" ---- ----	26.15 mm (1.0295 in) ---- ----
Exhaust	"A" 26.23 ~ 26.35 mm (1.0326 ~ 1.0374in) "B" ---- ----	25.89 mm (1.0192 in) ---- ----

# DAYTONA 150E ENGINE

## Owner's Manual

### MAINTENANCE SPECIFICATIONS

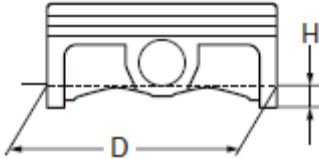
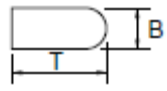
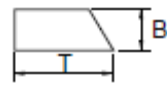

Item	Standard	Limit
Timing chain: Timing chain No. of links Timing chain adjustment method	88 link  Automatic	----  ----
Valve, valve seat, valve guide: Valve clearance (cold) IN  EX	0.05 ~ 0.07 mm (0.0020~ 0.0028 in) 0.05 ~ 0.07 mm (0.0020~ 0.0028 in)	---- ----
Valve dimensions:		
“A” head diameter IN	27.9 ~ 28.1 mm (1.0984 ~ 1.1062 in)	----
EX	23.4 ~ 23.6 mm (0.8897 ~ 0.9291 in)	----
“B” face width IN	---	----
EX	---	----
“C” seat width IN	0.8 ~ 1.0 mm (0.0314 ~ 0.03937 in)	1.6 mm (0.0630 in)
EX	0.8 ~ 1.0 mm (0.0314 ~ 0.03937 in)	1.6 mm (0.0630 in)
“D” margin thickness IN	----	----
EX	----	----
Stem outside diameter IN	4.970 ~ 4.985 mm(0.19566 ~ 0.1962 in)	4.92 mm (0.1937 in)
EX	4.970 ~ 4.985 mm(0.19566 ~ 0.1962 in)	4.92 mm (0.1937 in)
Guide inside diameter IN	5.000 ~ 5.012 mm(0.1968 ~ 0.1973 in)	5.050 mm(0.1988 in)
EX	5.000 ~ 5.012 mm(0.1968 ~ 0.1973 in)	5.050 mm(0.1988 in)
Stem-to-guide clearance IN	0.015 ~ 0.042 mm(0.0005 ~ 0.0016 in)	0.08 mm(0.003 in)
EX	0.03 ~ 0.057 mm(0.0011 ~ 0.0022 in)	0.10 mm(0.004 in)
Valve spring: Free length		
IN /outer( $\phi$ 22.4)	34.12 mm (1.3433 in)	32.32 mm (1.2724in)
/inner( $\phi$ 16.1)	31.96 mm (1.2582 in)	30.16 mm (1.2724in)
EX /outer( $\phi$ 22.4)	34.12 mm (1.3433 in)	32.32 mm (1.2724in)
/inner( $\phi$ 16.1)	31.96 mm (1.2582 in)	30.16 mm (1.2724in)



# DAYTONA 150E ENGINE

## Owner's Manual

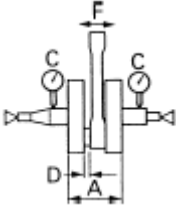
### MAINTENANCE SPECIFICATIONS

Item	Standard	Limit
Piston: Piston to cylinder clearance  Piston size "D"   Measuring point "H" Piston off-set Piston pin bore inside diameter Piston pin outside diameter	0.01 ~ 0.04 mm (0.00039 ~ 0.00157in) 56.975 ~ 56.99 mm (2.2431 ~ 2.2437 in)  8 mm (0.31 in) ---- 13.002 ~ 13.008 mm (0.5118 ~ 0.5121 in) 12.995 ~ 12.998 mm (0.5116 ~ 0.5117 in)	0.1mm(0.004 in)  ----  13.06 mm (0.5141 in) 12.97 mm (0.5106 in)
Piston rings:  Top ring:  Dimensions (B × T) End gap (installed) Side clearance (installed)	0.8 × 2.25 mm (0.06 × 0.09 in) 0.05 ~ 0.20 mm (0.006 ~ 0.010 in) 0.015 ~ 0.045 mm(0.0012 ~ 0.0026in)	 0.4 mm (0.020 in) 0.10 mm (0.005 in)
2nd ring:  Dimensions (B × T) End gap (installed) Side clearance	0.8 × 2.25 mm (0.06 × 0.09 in) 0.05 ~ 0.20 mm (0.006 ~ 0.010 in) 0.015 ~ 0.045 mm(0.0012 ~ 0.0026in)	 0.4 mm (0.031 in) 0.10 mm (0.005 in)
Oil ring:  Dimensions (B × T) End gap (installed)	1.50 × 2.25 mm (0.06 × 0.09 in) 0.2 ~ 0.7 mm (0.004 ~ 0.016 in)	---- 0.9 mm (0.005 in)

# DAYTONA 150E ENGINE

## Owner's Manual

### MAINTENANCE SPECIFICATIONS

Item	Standard	Limit
Crankshaft: Crank width "A" Runout limit "C" Big end side clearance "D" Small end free play "F" 	40.2 mm (1.58267 in) 0.03 (one-side) 0.1 ~ 0.35 mm (0.0039 ~ 0.0137 in) ----	---- 0.1 mm (0.0039 in) 0.6 mm (0.0236 in) ----
Clutch: Friction plate thickness Quantity Clutch plate thickness Quantity Warp limit Clutch spring free length Quantity	2.9 ~ 3.1 mm (0.114 ~ 0.122 in) 5 0.9 ~ 1.0 mm (0.043 ~ 0.051 in) 4 ---- 30.2 mm (1.1889 in) 4	2.7 mm (0.106 in) ---- 0.7 mm (0.0275 in) ---- 0.2 mm (0.0787 in) 27.2 mm (1.0705 in) ----

# DAYTONA 150E ENGINE

## Owner's Manual

### MAINTENANCE INTERVALS

Item	After break-in (50km)	Every race	Every third (or 500 km)	Every fifth (or 1,000 km)	As required	Remarks
ENGINE OIL Replace Inspect	●	●			●	
ENGINE VALVES Check the valve clearances Inspect Replace	●		●  ●		●	The engine must be cold. Check the valve seats and valve stems for wear.
VALVE SPRINGS Inspect Replace			●		●	Check the free length and the tilt.
CAMSHAFTS Inspect Replace			●		●	Inspect the camshaft surface.
TIMING CHAIN SPROCKETS, TIMING CHAIN Inspect Replace			●		●	Check for wear on the teeth and for damage.
PISTON Inspect Clean Replace			●		● ● ●	Inspect crack Inspect carbon deposits and eliminate them.

# DAYTONA 150E ENGINE

## Owner's Manual

### MAINTENANCE INTERVALS

Item	After break- in (50km)	Every race	Every third (or 500 km)	Every fifth (or 1,000 km)	As requir e-ed	Remarks
PISTON RING Inspect Replace			● ●		●	Check ring end gap
PISTON PIN Inspect Replace			●		●	
CYLINDER HEAD Inspect and clean Replace			●		●	Inspect carbon deposits and eliminate them. Change gasket
CYLINDER Inspect and clean Replace			●		●	Inspect score marks Inspect wear
CLUTCH Inspect and adjust Replace	●	●			●	Inspect housing, friction plate, clutch plate and spring
TRANSMISSION Inspect Replace				●	●	Inspect wear of gear and bearings
SHIFT FORK, SHIFT CAM, GUIDE BAR Inspect Replace				●	●	Inspect wear
ROTOR NUT Retighten	●			●		
CRANK Inspect and align				●	●	
CARBURETOR Inspect, adjust, clean	●	●				

# DAYTONA 150E ENGINE

## Owner's Manual

### MAINTENANCE INTERVALS

Item	After break- in (50km)	Every race	Every third (or 500 km)	Every fifth (or 1,000 km)	As requir e-ed	Remarks
SPARK PLUG Inspect and clean Replace	●		●		●	
OIL COOLING SYSTEM(Optional) Check hoses & leakage Replace hoses and gaskets	●	●			●	
AIR FILTER (Optional) Clean and lubricate Replace	●	●			●	Use foam air-filter oil or equivalent oil
OIL FILTER Replace	●	●				
OIL STRAINER Clean				●		

# DAYTONA 150E ENGINE

## Owner's Manual

### **PRE-OPERATION INSPECTION AND MAINTENANCE**

---

Before riding for break-in operation, practice or a race, make sure the engine is in good operating condition.

Before using this engine, check the following points.

#### **ENGINE OIL LEVEL INSPECTION**

1. Start the engine, warm it up for several minutes, and then turn off the engine and wait for a few minutes.
2. Place the bike on a level place and hold it up on upright position.
3. Check the oil level through the sight glass.

Oil level should be between the upper and the red-colored central point of the sight glass.



4. Add oil to proper level

# DAYTONA 150E ENGINE

## Owner's Manual

### PRE-OPERATION INSPECTION AND MAINTENANCE

---

#### CARBURETOR SETTING

The carburetor is extremely sensitive to foreign matter (dirt, sand, water, etc.).

During installation, do not allow foreign matter to get into the carburetor.

Always handle the carburetor and its components carefully. Even slight scratches, bends or damage to carburetor parts may prevent the carburetor from functioning correctly.

Carefully perform all servicing with the appropriate tools and without applying excessive force.

After installing the carburetor, check that the throttle operates correctly and opens and closes smoothly.

It is highly recommended that the carburetor setting is performed by an experienced mechanic to obtain the best possible performance.

Atmospheric conditions and carburetor settings

Air Temp.	Humidity	Air Pressure (Altitude)	Mixture	Setting
High	High	Low (High)	Richer	Leaner
Low	Low	High (Low)	Leaner	Richer

The air density (i.e., concentration of oxygen in the air) determines the richness or leanness of the air/fuel mixture. Therefore, refer to the above table for mixture settings.

That is:

- Higher temperature expands the air with its resultant reduced density.
- Higher humidity reduces the amount of oxygen in the air by so much of the water vapor in the same air.
- Lower atmospheric pressure (at a high altitude) reduces the density of the air.

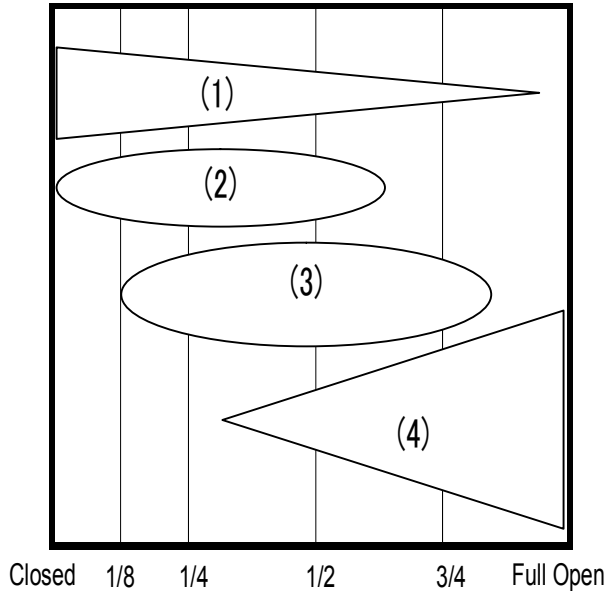
# DAYTONA 150E ENGINE

## Owner's Manual

### PRE-OPERATION INSPECTION AND MAINTENANCE

---

Effects of the setting parts on the throttle valve opening



- (1) Slow Jet / Pilot Screw
- (2) Throttle valve cutaway
- (3) Jet Needle / Needle Jet
- (4) Main Jet

Here is the recommended setting information of KEIHIN PE28 carburetor, for your reference.

**Tested Conditions**

Carburetor	KEIHIN PE28
Air Temperature	20 degrees Celsius
Humidity	50%
Atmospheric Pressure	1000 hPa

Item	Recommendation
Main Jet	#122-#125 (with AIR FILTER) / #130-#132 (without Air Filter)
Slow Jet	#38 (STD)
Throttle Valve	#3.0
Jet Needle	#JFN (STD) Clip position : In the 1st groove from the top
Air screw	1 + 1/2 return



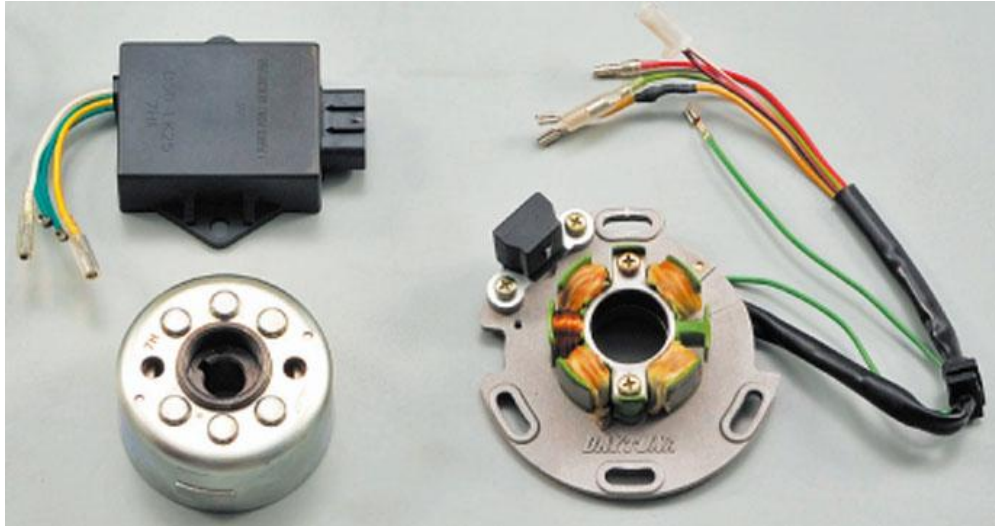
# DAYTONA 150E ENGINE

## Owner's Manual

### PRE-OPERATION INSPECTION AND MAINTENANCE

#### IGNITION TIMING SELECTION

DAYTONA 150E ENGINE comes with ignition timing selectable CDI unit.



To change the ignition timing, it needs to change the connection of the wires that come out of the CDI unit.

#### WIRE CONNECTION TABLE

Color of Wire	WHITE	GREEN	YELLOW	GREEN	Remarks
Timing (1)	<input type="radio"/>	<input type="radio"/>	<input type="radio"/>	<input type="radio"/>	Factory Default Setting No wires to be connected
Timing (2)	<input checked="" type="radio"/>	<input type="radio"/>	<input type="radio"/>	<input type="radio"/>	
Timing (3)	<input type="radio"/>	<input type="radio"/>	<input checked="" type="radio"/>	<input checked="" type="radio"/>	
Timing (4)	<input checked="" type="radio"/>	<input type="radio"/>	<input checked="" type="radio"/>	<input type="radio"/>	



#### WARNING

DO NOT SELECT TIMING (3) OR (4) FOR DAYTONA 150E ENGINE.  
SERIOUS DAMAGE WILL OCCURE IN THE ENGINE BY ABNORMAL COMBUSTION.

#### Notes

- (a) Timing (1) gives more torque at low-middle rpm level.
- (b) Timing (2) gives more torque at higher rpm level than the Timing (2).

Example (How to select)

- \* To select Timing (2), connect White and Green wires.

# DAYTONA 150E ENGINE

## Owner's Manual

### PRE-OPERATION INSPECTION AND MAINTENANCE

---

#### ENGINE OIL TEMPERATURE CONTROL



#### WARNING

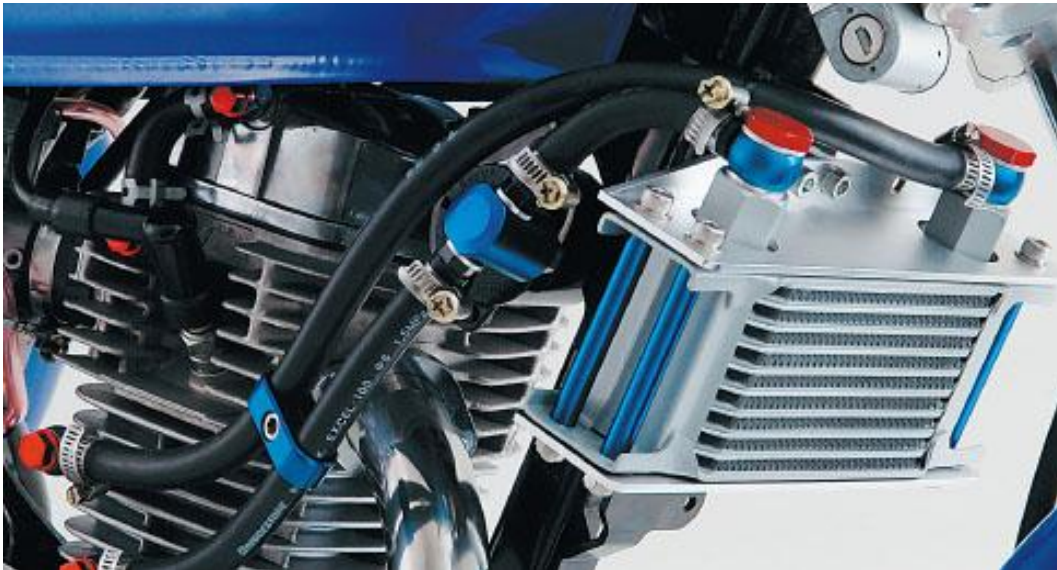
Engine oil temperature is to be strictly controlled at 90 degrees Celsius (194 degrees Fahrenheit) or lower.

Serious damage will occur in the engine if engine oil temperature exceeds 90 degrees Celsius or 194 degrees Fahrenheit.

It is solely customer's responsibility to control the engine oil temperature.

Any failures caused by overheating are NOT considered as the defects of Products.

It is highly recommended to use HIGH-EFFICIENT OIL COOLER and OIL TEMPERATURE GAUGE to protect the engine.



The above OIL COOLER is just a recommendation.

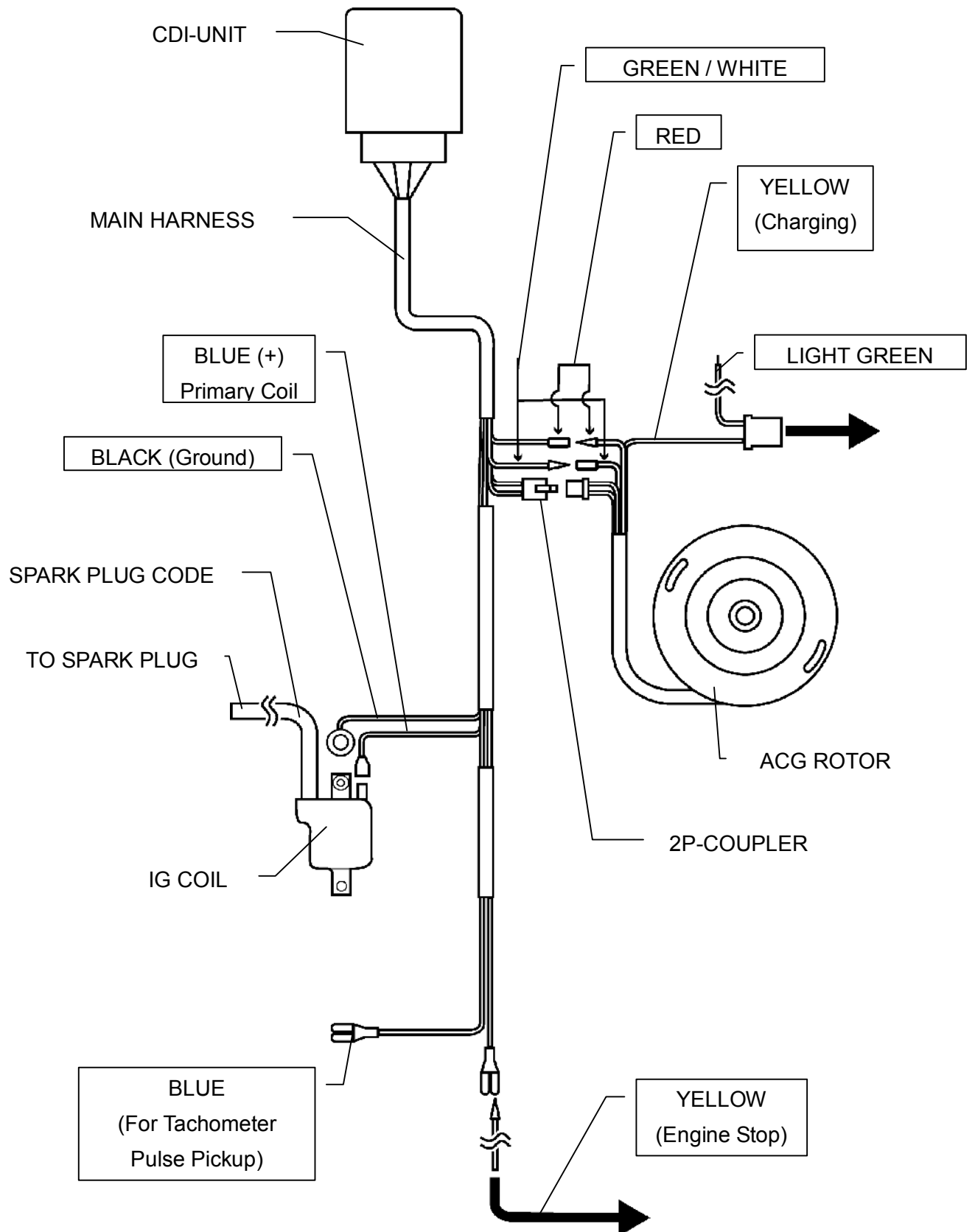
Engine oil temperature can be heated up over 90 degrees Celsius or 194 degrees Fahrenheit, even if the above recommended OIL COOLER is used.

Again, customer needs to control the oil temperature very carefully.

# DAYTONA 150E ENGINE

## Owner's Manual

### ELECTRICAL DIAGRAM



# DAYTONA 150E ENGINE

## Owner's Manual

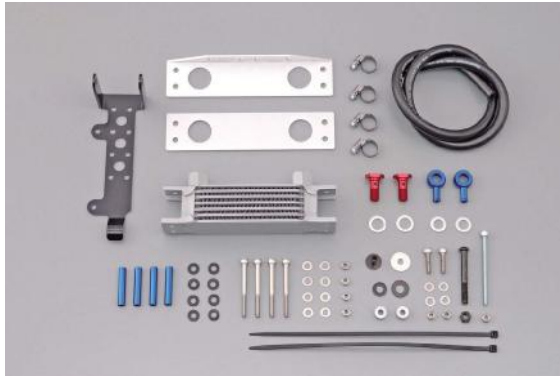
### OPTIONAL PARTS

#### OIL COOLER

The following oil coolers are available from Daytona, but the mount bracket must be made by the customer to fit on his/her bike. The kit components are shown in the below photo.

##### Daytona Part# 61785

7-Core Oil Cooler Kit



##### Daytona Part# 62759

10-Core Oil Cooler Kit

(The same kit components as #61785.)



#### OIL TEMPERATURE GAUGE & FITTING

The following temp. gauge and fitting are available from Daytona. The temp. gauge (#47101) can be used with the Daytona oil cooler (#61785) by using the Daytona sensor fitting (#43350).

##### Daytona Part# 47101

Temp. gauge & sensor, 0-150 degrees Celsius  
PT1/8(Tapered Thread)-Sensor fitting



##### Daytona Part# 43350

Sensor fitting

For PT1/8(Tapered Thread) sensor  
Designed for a 8mm inner dia. oil hoses



# DAYTONA 150E ENGINE

## Owner's Manual

### OPTIONAL PARTS

#### REINFORCED CLUTCH FRICTION DISC

**Daytona Part # 84749**

Reinforced clutch friction disc, 1pc

Made by FCC JAPAN



#### REINFORCED CAM CHAIN

**Daytona Part # 84750**

Reinforced cam chain, 88 Link 25HS

Solid Bushing

Made in Japan



#### WARNING

Since these UPGRADE KIT PARTS are designed specifically for the top competition riders, ANY FAILURES CAUSED BY THE INSTALLATION OF THESE OPTIONAL PARTS ARE NOT CONSIDERED AS THE DEFECTS OF PRODUCTS.

#### **CARBURETOR KEIHIN PE28**

**Daytona Part # 85707 (with Throttle valve #3.0) \*Recommendation**

**Daytona Part # 83952 (with Throttle valve #2.0)**

Keihin PE28 Carburetor



# DAYTONA 150E ENGINE

## Owner's Manual

### OPTIONAL PARTS

#### CARBURETOR SETTING PARTS

**Daytona Part # 31123**

Main Jet Set (8 pcs/set) for Keihin  
#115,118,120,122,125,128,130,&132

**Daytona Part # 31124**

Main Jet Set (8 pcs/set) for Keihin  
#128,130,132,135,138,140,142,&145

**Daytona Part # 69906**

Slow Jet Set, 6pcs/set  
Air bleed type  
For Keihin PE & PWK  
#35, 38, 40, 42, 45, & 48

**Daytona Part # 65414**

JET NEEDLE

#69359 / 46JFL (+2 / Diameter of straight  $\phi$  2.465 / RICH)

#69361 / 46JFM (+1 /  $\phi$  2.475)

#69374 / 46JFN (0 /  $\phi$  2.485 / STD)

#69376 / 46JFP (-1 /  $\phi$  2.495)

#69414 / 46JFQ (-2 /  $\phi$  2.505)

#69378 / 46JFR (-3 /  $\phi$  2.515)

#69380 / 46JFS (-4 /  $\phi$  2.525 / LEAN)



\*Angle of taper = 3 deg (all)

\* Height to taper = 26.77mm(all)

**Daytona Part No.**

Throttle valve / For PE28

# 65416 (# 2.0)

# 69353 (# 2.5)

# 69354 (# 3.0)

# 69355 (# 4.0)



# DAYTONA 150E ENGINE

## Owner's Manual

### UPGRADE KIT PARTS

---



Since these UPGRADE KIT PARTS are designed specifically for the top competition riders, ANY FAILURES CAUSED BY THE INSTALLATION OF THESE OPTIONAL PARTS ARE NOT CONSIDERED AS THE DEFECTS OF PRODUCTS.

#### HI-COMP PISTON 2V – DT150

Daytona Part # 85043



Compression ratio 13.8:1 (Std = 12.5:1)

#### CAM SHAFT UPGRADE

Daytona Part # 84835



(A053 type / two lines)

A053 CAM Angle = 268deg / lift in = 8.67mm , ex = 8.52

(std CAM = Angle = 240deg / lift in = 7.23mm , ex = 6.81)

# DAYTONA 150E ENGINE

## Owner's Manual

### UPGRADE KIT PARTS

---



#### WARNING

Since these UPGRADE KIT PARTS are designed specifically for the top competition riders, ANY FAILURES CAUSED BY THE INSTALLATION OF THESE OPTIONAL PARTS ARE NOT CONSIDERED AS THE DEFECTS OF PRODUCTS.

---

#### DOHC CYLINDER HEAD AND CYLINDER KIT

This upgrade kit soups up DAYTONA 150E SOHC ENGINE to the next level of high performance.

##### Daytona Part #84427

Twin Cam Cylinder Head Kit with Cylinder and Piston





# DAYTONA 150E ENGINE

## Owner's Manual

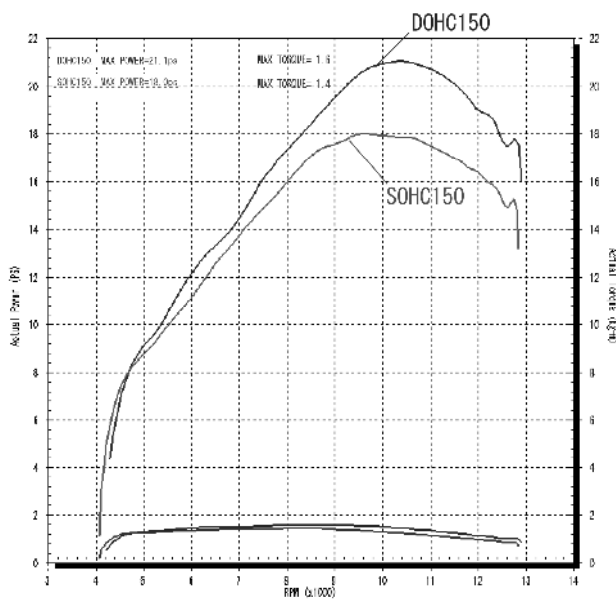
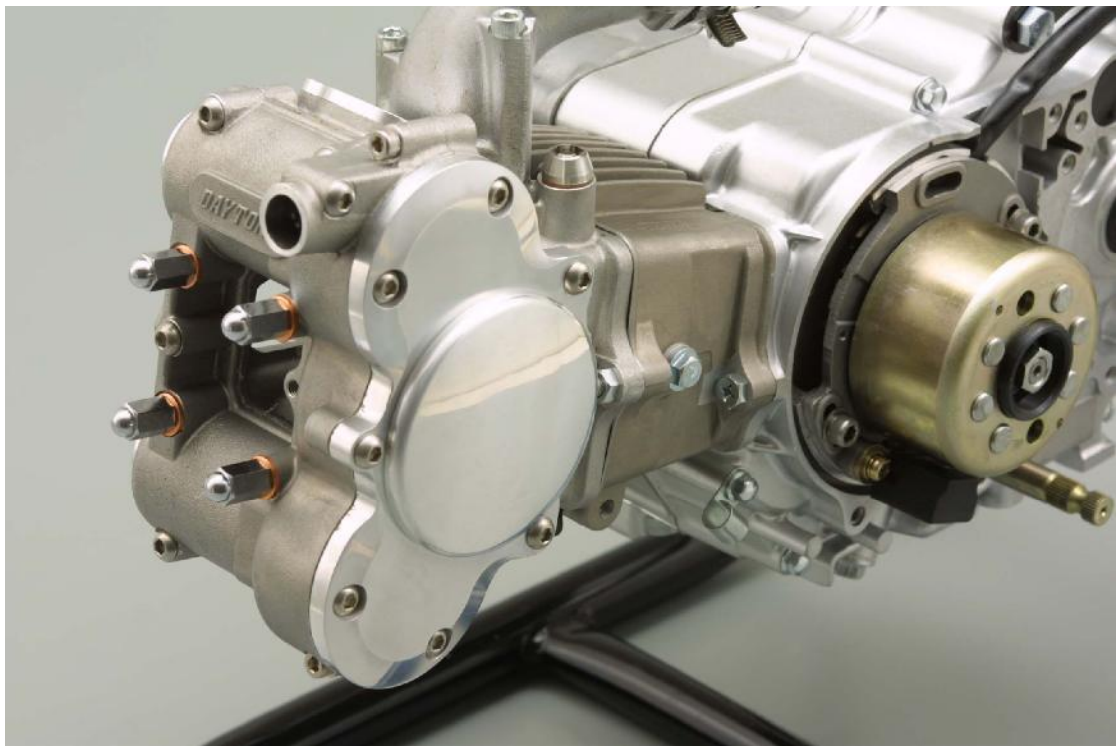
### UPGRADE KIT PARTS



#### WARNING

Since these UPGRADE KIT PARTS are designed specifically for the top competition riders, ANY FAILURES CAUSED BY THE INSTALLATION OF THESE OPTIONAL PARTS ARE NOT CONSIDERED AS THE DEFECTS OF PRODUCTS.

#### DAYTONA 150E ENGINE with Twin Cam Head Kit (#84427)



# DAYTONA 150E ENGINE

## Owner's Manual



### INTRODUCTION

---

Félicitations, vous venez d'acquérir votre nouveau moteur DAYTONA 150E. Ce manuel explique le fonctionnement, l'inspection, l'entretien de base et de réglage du moteur. Pour toutes questions, veuillez contacter votre revendeur. Merci de lire attentivement et minutieusement ce manuel avant utilisation.



### ATTENTION

5. Le moteur DAYTONA 150E est exclusivement destiné à la **COMPETITION SUR CIRCUIT FERME**. L'utilisation de ce moteur sur la voie publique ou sur un terrain ouvert au public est strictement interdite par les lois en vigueur.  
Veuillez observer toutes les lois et règlements applicables avant utilisation.
6. Ce moteur ne peut être utilisé que par **UN PILOTE EXPERIMENTE**.  
Un accident fatal pourrait survenir si vous n'êtes pas un pilote expérimenté et si le moteur n'est pas entretenu par un mécanicien expérimenté.
7. Ce moteur doit être entretenu et vérifié par un mécanicien professionnel.  
De sérieux dommages pourraient être occasionnés si tel n'est pas le cas.
8. Ce manuel explique **SEULEMENT** les opérations de base, le contrôle, l'entretien et le réglage mais il incombe à l'utilisateur de maintenir le meilleur niveau de performance du moteur en fonction des circonstances.

# DAYTONA 150E ENGINE

## Owner's Manual

### **RESPONSABILITE DU CLIENT & SERVICE APRES VENTE**

---

#### **EXCLUSIONS GENERALES**

Tous les dommages causes par les raisons suivantes ne seront pas considérés comme étant des vices de fabrication:

(8) Surchauffe suite un contrôle déficient de la température d'huile moteur.



#### **LA TEMPERATURE DE L HUILE MOTEUR DOIT ETRE CONTROLEE ET MAINTENUE AU PLUS A 90°C (194 DEGRES FAHRENHEIT).**

**Le moteur pourrait subir de sérieux dommages si la température d'huile excède les 90°C ou 194° Fahrenheit.**

**Le contrôle de la température incombe entièrement à l'utilisateur.**

(9) Installation de pièces ou accessoires qui ne sont pas d'origine.

Ceci inclut les pièces Racing Daytona réservées à la compétition telles que la culasse 4 soupapes.

- (10) Contraintes anormales, négligence ou abus
- (11) Accidents ou dommages suite à une collision
- (12) Modification des pièces d'origine
- (13) Manque d'entretien
- (14) Dommages causés par une utilisation incorrecte

#### **LA RESPONSABILITE DU CLIENT**

IL SERA DE LA RESPONSABILITE DU CLIENT d'utiliser et entretenir le moteur comme indiqué dans ce manuel.

#### **SERVICE APRES VENTE**

Si le moteur nécessite une intervention, contactez uniquement votre revendeur agréé Daytona par le distributeur.

DAYTONA Corp. JAPAN n'est pas en position d'assurer le service après vente suite au contrat conclu avec le distributeur.

# DAYTONA 150E ENGINE

## Owner's Manual

### TABLE DES MATIERES

---

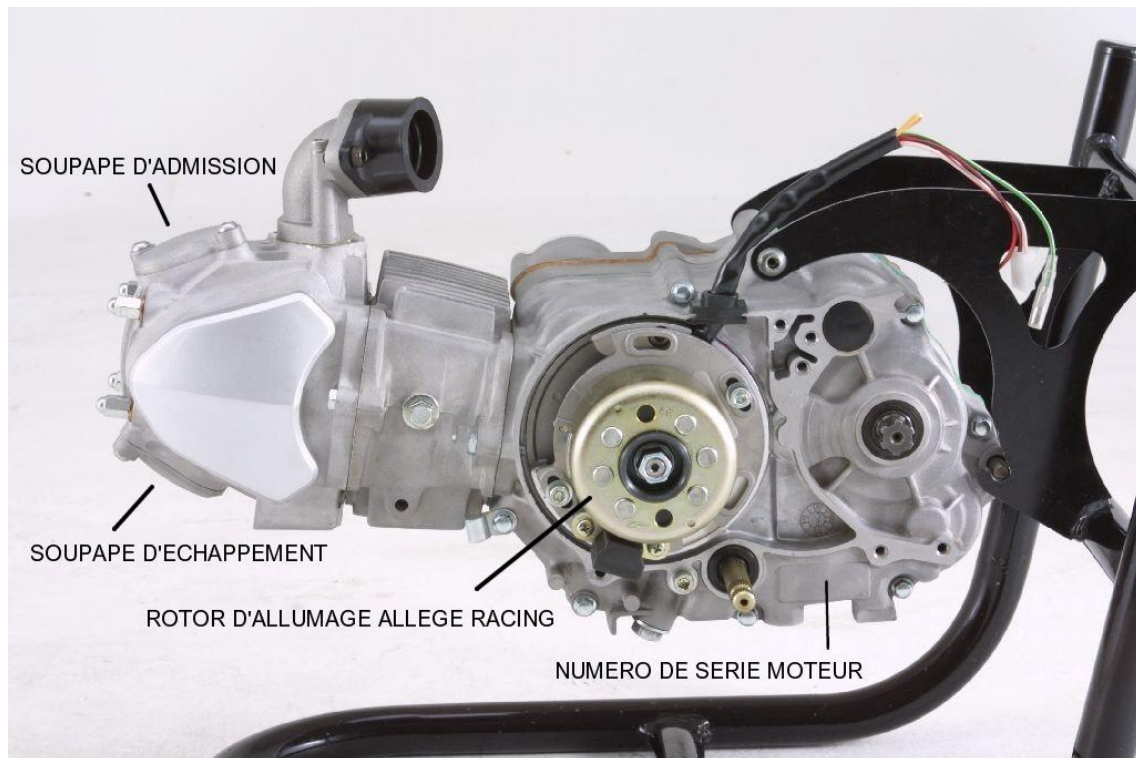
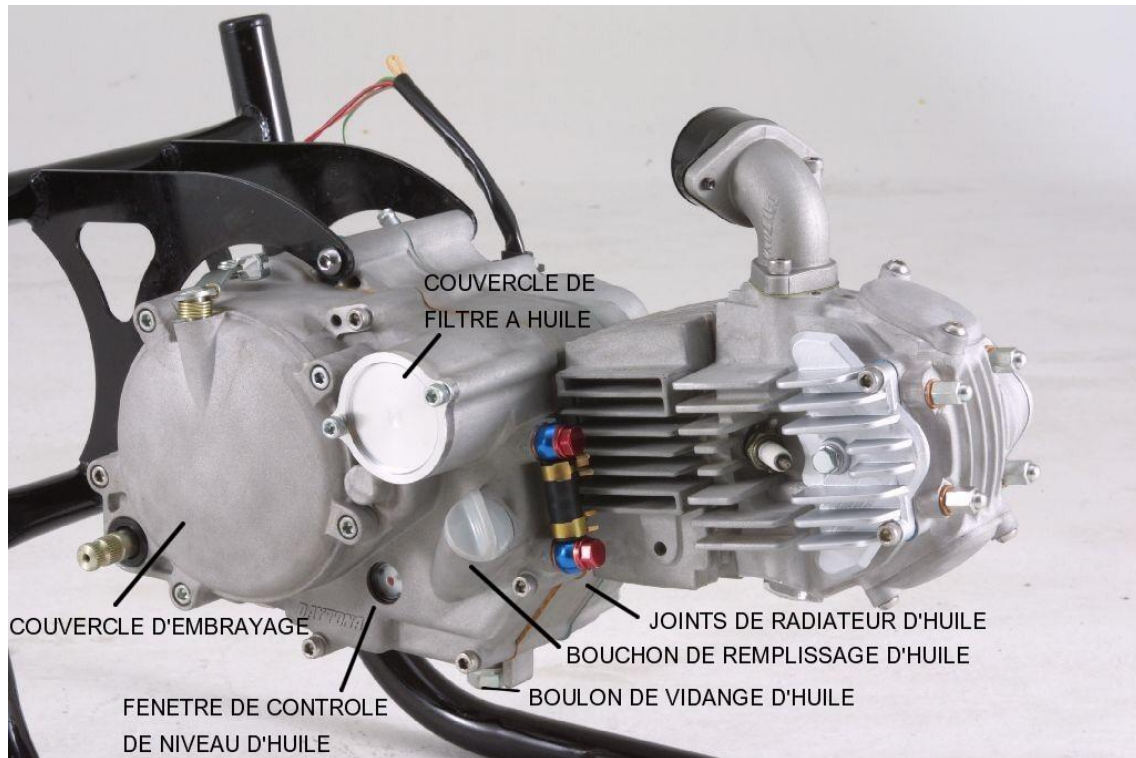
INTRODUCTION	Page 25
RESPONSABILITE DU CLIENT & SERVICE APRES VENTE	Page 26
TABLE DES MATIERES	Page 27
DESIGNATION DES PIECES	Page 28
CARACTERISTIQUES GENERALES	Page 29
CARACTERISTIQUES / ENTRETIEN	Page 30 - 33
CALENDRIER D'ENTRETIEN	Page 34 - 36
CONTROLE AVANT UTILISATION ET ENTRETIEN	Page 37
CONTROLE DU NIVEAU D'HUILE	Page 37
REGLAGE DU CARBURATEUR	Page 38 - 39
ALLUMAGE A COURBES SELECTIONNABLES	Page 40
CONTROLE DE LA TEMPERATURE D'HUILE	Page 41
SCHEMA ELECTRIQUE	Page 42
PIECES OPTIONNELLES	Page 43 - 44
KIT PIECES RACING	Page 45 - 47
CATALOGUE DES PIECES DETACHEES	Page 48 - 57

# DAYTONA 150E ENGINE

## Owner's Manual

### DESIGNATION DES PIECES

---



# DAYTONA 150E ENGINE

## Owner's Manual

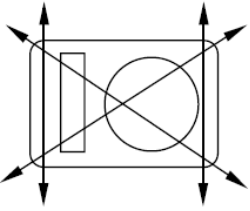
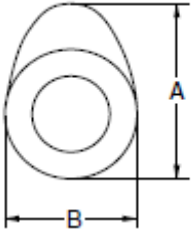
### CARACTERISTIQUES GENERALES

MOTEUR	
POIDS (à sec)	18.0 kg
type	4 temps SOHC refroidissement à huile
Cylindre	Mono cylindre, monté horizontalement
Cylindrée	149.78 cm <sup>3</sup>
Alésage × Course	57.0 × 58.7 mm (2.244 × 2.311 in)
Taux de Compression	12.5 : 1
Démarrage	Kick (Kick non inclus)
Type de lubrification	Carter humide
Huile moteur recommandée	SAE 10W-40 ou indice supérieur API "SG" or ou indice supérieur
Capacité huile moteur	
Vidange	0.60 L
Avec remplacement du filtre	0.65 L
Total	0.70 L
	* capacité d'huile à ajuster / radiateur d'huile
Bougie	
Type/Fabriquant	CR8HSA/NGK (à resistance)
Ecartement	0.7 ~ 0.8 mm (0.028 ~ 0.031 in)
Embrayage	Humide, 5 disques
Transmission	
Rapport de réduction primaire	67/18 (3.722)
Type	4-vitesses N-1-2-3-4
Rapports	
1	34/13 (2.6153)
2	29/17 (1.7058)
3	26/20 (1.3000)
4	24/23 (1.0434)
Parties électriques	
Allumage	AC-CDI

# DAYTONA 150E ENGINE

## Owner's Manual

### CARACTERISTIQUES / ENTRETIEN

Item	Standard	Limit
Cylinder head Warp limit 	----	0.05 mm (0.002 in)
Cylinder: Bore size Out of round limit	57.00 - 57.015mm (2.2441 – 2.2445) ----	---- 0.05 mm (0.002 in)
Camshaft: Drive method Cam dimensions 	Chain (Left)	----
Intake	"A" 26.49 – 26.61 mm (1.04291 – 1.0476 in) "B" ---- ----	26.15 mm (1.0295 in) ---- ----
Exhaust	"A" 26.23 ~ 26.35 mm (1.0326 ~ 1.0374in) "B" ---- ----	25.89 mm (1.0192 in) ---- ----

# DAYTONA 150E ENGINE

## Owner's Manual

### CARACTERISTIQUES / ENTRETIEN

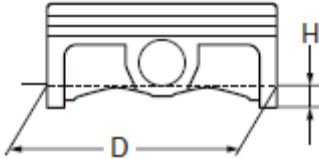
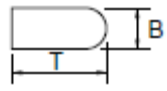
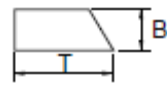

Item	Standard	Limit
Timing chain: Timing chain No. of links Timing chain adjustment method	88 link  Automatic	----  ----
Valve, valve seat, valve guide: Valve clearance (cold) IN  EX	0.05 ~ 0.07 mm (0.0020~ 0.0028 in) 0.05 ~ 0.07 mm (0.0020~ 0.0028 in)	----  ----
Valve dimensions:		
“A” head diameter IN	27.9 ~ 28.1 mm (1.0984 ~ 1.1062 in)	----
EX	23.4 ~ 23.6 mm (0.8897 ~ 0.9291 in)	----
“B” face width IN	---	----
EX	---	----
“C” seat width IN	0.8 ~ 1.0 mm (0.0314 ~ 0.03937 in)	1.6 mm (0.0630 in)
EX	0.8 ~ 1.0 mm (0.0314 ~ 0.03937 in)	1.6 mm (0.0630 in)
“D” margin thickness IN	----	----
EX	----	----
Stem outside diameter IN	4.970 ~ 4.985 mm(0.19566 ~ 0.1962 in)	4.92 mm (0.1937 in)
EX	4.970 ~ 4.985 mm(0.19566 ~ 0.1962 in)	4.92 mm (0.1937 in)
Guide inside diameter IN	5.000 ~ 5.012 mm(0.1968 ~ 0.1973 in)	5.050 mm(0.1988 in)
EX	5.000 ~ 5.012 mm(0.1968 ~ 0.1973 in)	5.050 mm(0.1988 in)
Stem-to-guide clearance IN	0.015 ~ 0.042 mm(0.0005 ~ 0.0016 in)	0.08 mm(0.003 in)
EX	0.03 ~ 0.057 mm(0.0011 ~ 0.0022 in)	0.10 mm(0.004 in)
Valve spring: Free length		
IN /outer( $\phi$ 22.4)	34.12 mm (1.3433 in)	32.32 mm (1.2724in)
/inner( $\phi$ 16.1)	31.96 mm (1.2582 in)	30.16 mm (1.2724in)
EX /outer( $\phi$ 22.4)	34.12 mm (1.3433 in)	32.32 mm (1.2724in)
/inner( $\phi$ 16.1)	31.96 mm (1.2582 in)	30.16 mm (1.2724in)



# DAYTONA 150E ENGINE

## Owner's Manual

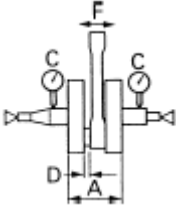
### CARACTERISTIQUES / ENTRETIEN

Item	Standard	Limit
Piston: Piston to cylinder clearance  <div style="text-align: center;">  </div> Piston size "D"  Measuring point "H" Piston off-set Piston pin bore inside diameter Piston pin outside diameter	0.01 ~ 0.04 mm (0.00039 ~ 0.00157in)  56.975 ~ 56.99 mm (2.2431 ~ 2.2437 in)  8 mm (0.31 in) ---- 13.002 ~ 13.008 mm (0.5118 ~ 0.5121 in) 12.995 ~ 12.998 mm (0.5116 ~ 0.5117 in)	0.1mm(0.004 in)  ----  13.06 mm (0.5141 in) 12.97 mm (0.5106 in)
Piston rings:  <div style="text-align: center;">  </div> Top ring: Dimensions (B × T) End gap (installed) Side clearance (installed)  <div style="text-align: center;">  </div> 2nd ring: Dimensions (B × T) End gap (installed) Side clearance  <div style="text-align: center;">  </div> Oil ring: Dimensions (B × T) End gap (installed)	 0.8 × 2.25 mm (0.06 × 0.09 in) 0.05 ~ 0.20 mm (0.006 ~ 0.010 in) 0.015 ~ 0.045 mm(0.0012 ~ 0.0026in)  0.8 × 2.25 mm (0.06 × 0.09 in) 0.05 ~ 0.20 mm (0.006 ~ 0.010 in) 0.015 ~ 0.045 mm(0.0012 ~ 0.0026in)	 0.4 mm (0.020 in) 0.10 mm (0.005 in)  0.4 mm (0.031 in) 0.10 mm (0.005 in)  ---- 0.9 mm (0.005 in)

# DAYTONA 150E ENGINE

## Owner's Manual

### CARACTERISTIQUES / ENTRETIEN

Item	Standard	Limit
Crankshaft: Crank width "A" Runout limit "C" Big end side clearance "D" Small end free play "F" 	40.2 mm (1.58267 in) 0.03 (one-side) 0.1 ~ 0.35 mm (0.0039 ~ 0.0137 in) ----	---- 0.1 mm (0.0039 in) 0.6 mm (0.0236 in) ----
Clutch: Friction plate thickness Quantity Clutch plate thickness Quantity Warp limit Clutch spring free length Quantity	2.9 ~ 3.1 mm (0.114 ~ 0.122 in) 5 0.9 ~ 1.0 mm (0.043 ~ 0.051 in) 4 ---- 30.2 mm (1.1889 in) 4	2.7 mm (0.106 in) ---- 0.7 mm (0.0275 in) ---- 0.2 mm (0.0787 in) 27.2 mm (1.0705 in) ----

# DAYTONA 150E ENGINE

## Owner's Manual

### CALENDRIER D'ENTRETIEN

	Après 50kms	Chaque course	3 cours (ou 500 kms)	5 cours (ou 1,000 kms)	Si néces saire	Remarques
HUILE MOTEUR Vidanger Contrôler	●	●			●	
Soupapes Contrôler Jeu Démonter Remplacer	●		●  ●		●	Le moteur doit être froid. Vérifiez l'usure des sièges et des queues de soupape.
Ressorts de soupape Contrôler Remplacer			●		●	Vérifier la longueur libre et l'inclinaison.
Arbre à cames Contrôler Remplacer			●		●	Contrôler la surface.
Chaine de distribution, pignons Contrôler Remplacer			●		●	Vérifier l'usure des dents et les dommages éventuels.
PISTON Contrôler Nettoyer Remplacer			●		● ● ●	Vérifier si pas de fissures, contrôler les dépôts et éliminer si nécessaire.

# DAYTONA 150E ENGINE

## Owner's Manual

### CALENDRIER D'ENTRETIEN

	Après 50kms	Chaque course	3 cours (ou 500 kms)	5 cours (ou 1,000 kms)	Si néces saire	Remarques
SEGMENTS PISTON Contrôler Remplacer			● ●		●	
AXE DE PISTON Contrôler Remplacer			●		●	
CULASSE Contrôler et nettoyer Remplacer			●		●	Contrôler et éliminer les dépôts de carbone. Changer le joint
CYLINDRE Contrôler et nettoyer Remplacer			●		●	Contrôler l'usure
EMBRAYAGE Contrôler et régler Remplacer	●	●			●	
TRANSMISSION Contrôler Remplacer				●	●	Contrôler l'usure des roulements,...
Fourchette de sélection, ... Contrôler Remplacer				●	●	Contrôler l'usure
Ecrou de rotor Vérifier le serrage	●			●		
VILLEBREQUIN Contrôler et aligner				●	●	
CARBURATEUR Contrôler, ajuster et nettoyer	●	●				

# DAYTONA 150E ENGINE

## Owner's Manual

### CALENDRIER D'ENTRETIEN

	Après 50kms	Chaque course	3 cours (ou 500 kms)	5 cours (ou 1,000 kms)	Si néces saire	Remarques
BOUGIE Contrôler et nettoyer Remplacer	●		●		●	
Radiateur d'huile(Option) Vérifier les durites & les fuites Remplacer les durites et les joints	●	●			●	
Filtre à air (Option) Nettoyer et lubrifier Remplacer	●	●			●	Utiliser de l'huile spéciale filtre à air.
Filtre à huile Remplacer	●	●				
Tamis de filter à huile Nettoyer				●		

# DAYTONA 150E ENGINE

## Owner's Manual

### CONTROLE AVANT UTILISATION ET ENTRETIEN

---

Avant toute utilisation, assurez-vous que le moteur soit en bon état de marche.

Avant d'utiliser ce moteur, contrôlez les points suivants:

#### CONTROLE DU NIVEAU D'HUILE MOTEUR

5. Démarrez le moteur, laissez le chauffer quelques minutes, puis arrêtez le moteur et attendez quelques minutes.
6. Placez la moto sur un sol plat et maintenez-la droite.
7. Contrôlez le niveau d'huile au travers de la fenêtre de contrôle.

Le niveau d'huile doit se situer entre le repère haut et le point rouge au milieu de la fenêtre.



8. Ajouter de l'huile si nécessaire (Huile préconisée)

# DAYTONA 150E ENGINE

## Owner's Manual

### CONTROLE AVANT UTILISATION ET ENTRETIEN

---

#### REGLAGES DU CARBURATEUR

Le carburateur est extrêmement sensible à l'environnement (saleré, sable, eau, etc.). Durant l'installation, empêcher tout corps étranger de pénétrer dans le carburateur. Manipulez toujours avec précaution le carburateur et ses éléments. De petites égratignures, même insignifiantes ou tout dommage pourraient empêcher le bon fonctionnement du carburateur.

Effectuez toutes les opérations d'entretien avec précaution en utilisant les outils adéquates et sans appliquer une force excessive.

Après avoir installé le carburateur, vérifiez que la commande d'accélérateur fonctionne correctement et que le moteur accélère ou ralenti progressivement.

Il est fortement recommandé de faire régler le carburateur par un mécanicien expérimenté pour obtenir les meilleures performances possibles.

Conditions atmosphériques et réglages du carburateur

Temp. air	Humidité	Pression atmosph. (Altitude)	Mélange	réglages
Elevée	Haute	Basse (Haute)	+ riche	+ pauvre
Basse	Basse	Haute (Basse)	+ pauvre	+ riche

La densité de l'air (i.e., concentration d'oxygène dans l'air) détermine la richesse ou la pauvreté du mélange air/essence. Par conséquent, référez-vous à la table de réglages ci-dessus pour ajuster le mélange.

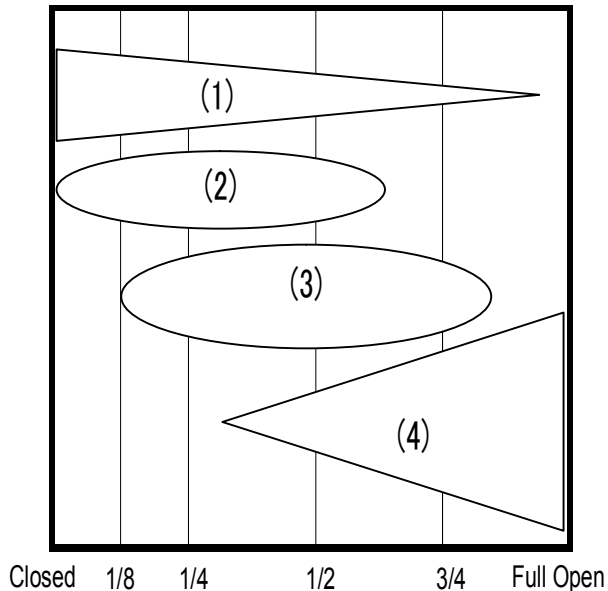
- Plus la température augmente, plus la densité de l'air sera faible.
- Plus le niveau d'humidité est élevé, moins la quantité d'oxygène dans l'air sera élevée.
- Plus la pression atmosphérique sera basse (haute altitude), plus la densité de l'air sera faible.

# DAYTONA 150E ENGINE

## Owner's Manual

### CONTROLE AVANT UTILISATION ET ENTRETIEN

Effets des différentes pièces de réglages sur l'ouverture de la commande d'accélérateur



- (1) Slow Jet / Pilot Screw
- (2) Throttle valve cutaway
- (3) Jet Needle / Needle Jet
- (4) Main Jet

Ici vous trouverez les réglages recommandés pour utiliser le carburateur Keihin PE28, pour votre référence.

#### Conditions des tests

Carburateur	KEIHIN PE28
Température de l'air	20° Celsius
Humidité	50%
Pression atmosphérique	1000 hPa

Item	Recommendation
Gicleur principal	#122-#125 (with AIR FILTER) / #130-#132(without Air Filter)
Gicleur de ralenti	#38 (STD)
Throttle Valve	#3.0
Aiguille	#JFN (STD) Clip position : In the 1st groove from the top
Air screw	1 + 1/2 return

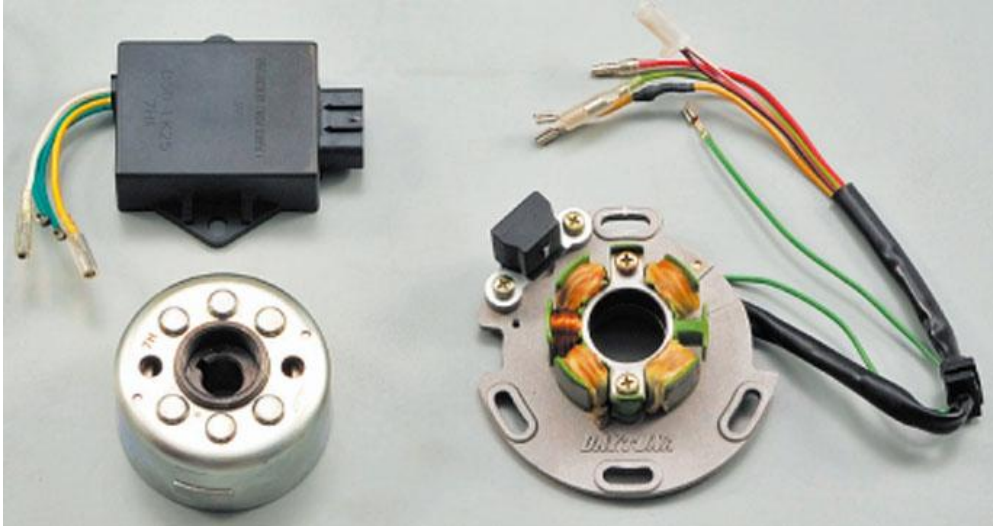


# DAYTONA 150E ENGINE

## Owner's Manual

### CONTROLE AVANT UTILISATION ET ENTRETIEN


Le moteur DAYTONA 150 E est livré avec un CDI à 4 courbes d'allumage sélectionnables.



Pour modifier la courbe d'allumage, il existe quatre combinaisons possibles de branchement des fils à la sortie du CDI.

#### TABLE DE CONNEXION DES FILS

Couleur du fil	BLANC	VERT	JAUNE	VERT	Remarques
Courbe (1)	○	○	○	○	Courbe d'allumage par défaut Pas de fils connectés
Courbe (2)	○ — ○	○	○	○	
Courbe (3)	○	○	○ — ○	○	
Courbe (4)	○ — ○	○	○ — ○	○	



**ATTENTION :**  
**NE PAS UTILISER LA COURBE (3) ET (4) AVEC LE MOTEUR DAYTONA 150E.**  
 UNE COMBUSTION ANORMALE CAUSERAIT DE SERIEUX DOMMAGES AU MOTEUR.

#### Notes

- (a) Courbe (1) procure plus de couple sur les deux premiers tiers de la courbe.
- (b) Courbe (2) procure davantage de couple sur le dernier tiers de la courbe par rapport à la courbe 1.

#### Exemple (comment sélectionner une courbe)

- \* Pour sélectionner la courbe (2), connectez les fils Blanc et vert.

# DAYTONA 150E ENGINE

## Owner's Manual

### CONTROLE AVANT UTILISATION ET ENTRETIEN

---

#### CONTROLE DE LA TEMPERATURE D'HUILE



#### ATTENTION

La température d'huile moteur doit être contrôlée et ne pas dépasser 90° Celsius (194 degrés Fahrenheit).

De sérieux dommages peuvent être occasionnés si la température du moteur excède 90° Celsius ou 194° Fahrenheit.

Le contrôle de la température incombe totalement à l'utilisateur, Daytona ou son distributeur ne pourra être tenu responsable en cas de dommages.

**TOUT DOMMAGE CAUSE PAR UNE SURCHAUFFE NE POURRA ETRE ASSIMILE A UN VICE DE FABRICATION.**

Il est fortement recommandé d'utiliser un radiateur d'huile très performant and une jauge de température pour protéger le moteur.



Le radiateur d'huile ci-dessus est juste une recommandation.

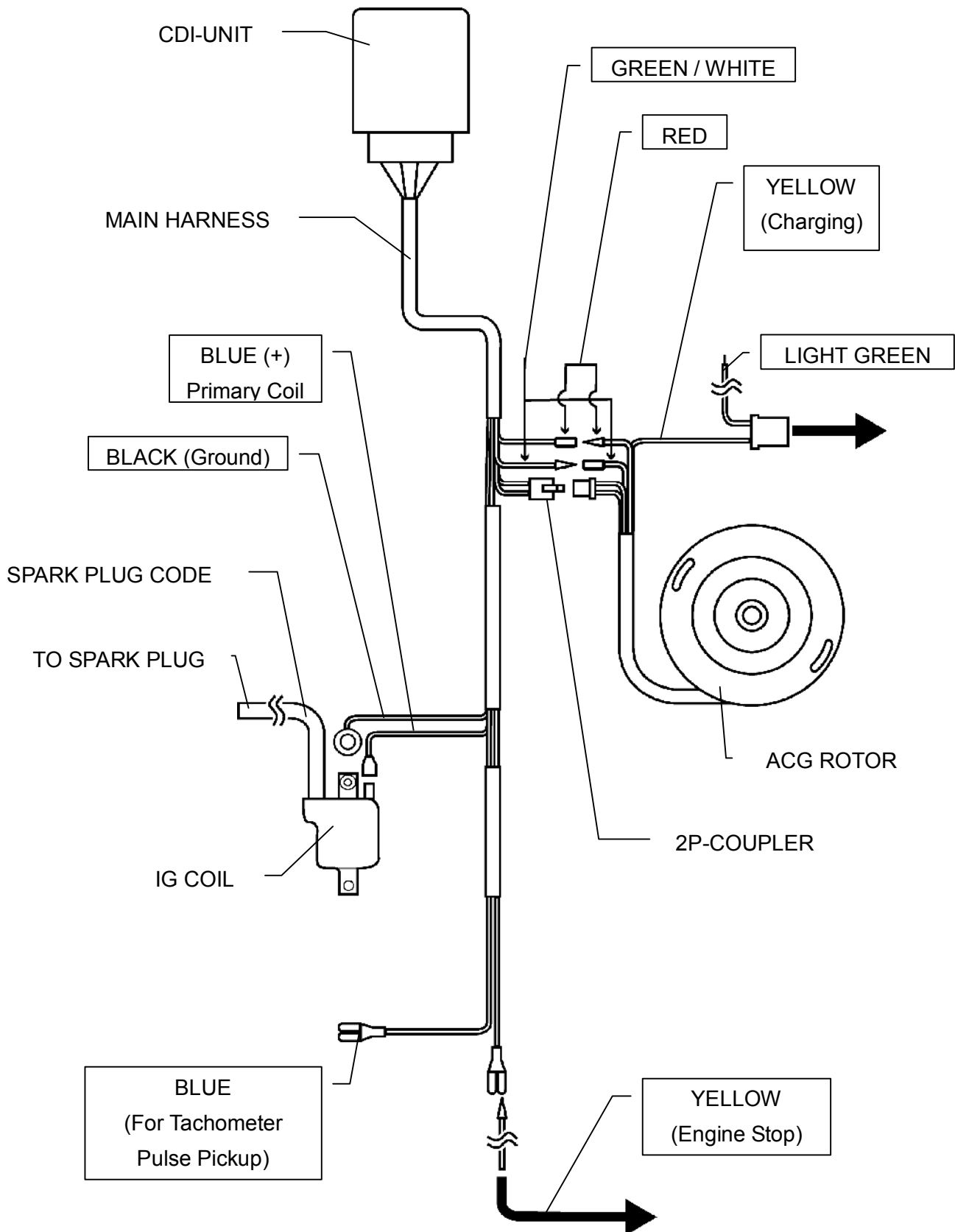
L'huile moteur peut malgré tout dépasser les 90°C ou 194° Fahrenheit, y compris en utilisant ce radiateur.

L'utilisateur doit contrôler avec précaution la température d'huile.

# DAYTONA 150E ENGINE

## Owner's Manual

### SCHEMA ELECTRIQUE



# DAYTONA 150E ENGINE

## Owner's Manual

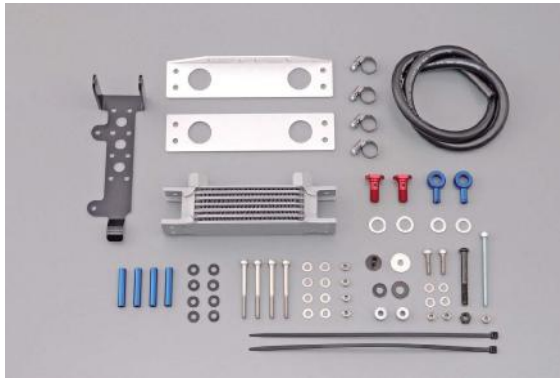
### PIECES OPTIONNELLES

#### RADIATEUR D'HUILE

Les radiateurs d'huile suivants sont disponibles au catalogue Daytona mais le support de montage spécifique à votre moto n'est pas fourni. Les pièces contenues dans le kit sont présentées ci-dessous :

##### Daytona Part# 61785

7-Core Oil Cooler Kit



##### Daytona Part# 62759

10-Core Oil Cooler Kit

(The same kit components as #61785.)



#### JAUGE DE TEMPERATURE D HUILE & ADAPTATEUR

Cette jauge est disponible au catalogue Daytona. La jauge (#47101) est compatible avec le radiateur d'huile Daytona (#61785) en utilisant le capteur Daytona (#43350).

##### Daytona Part# 47101

Temp. gauge & sensor, 0-150 degrees Celsius  
PT1/8(Tapered Thread)-Sensor fitting



##### Daytona Part# 43350

Sensor fitting

For PT1/8(Tapered Thread) sensor  
Designed for a 8mm inner dia. oil hoses



# DAYTONA 150E ENGINE

## Owner's Manual

### PIECES OPTIONNELLES

#### DISQUE D'EMBRAYAGE RENFORCE

**Daytona Part # 84749**

Reinforced clutch friction disc, 1pc

Made by FCC JAPAN



#### CHAINE DE DISTRIBUTION RENFORCEE

**Daytona Part # 84750**

Reinforced cam chain, 88 Link 25HS

Solid Bushing

Made in Japan



**WARNING**

Ces pièces sont conçues pour la compétition.

**TOUT DOMMAGE CAUSE PAR L'INSTALLATION DE CES PIECES OPTIONNELLES NE POURRA ETRE CONSIDERE COMME ETANT UN VICE DE FABRICATION.**

#### **CARBURETOR KEIHIN PE28**

**Daytona Part # 85707 (with Throttle valve #3.0) \*Recommendation**

**Daytona Part # 83952 (with Throttle valve #2.0)**

Keihin PE28 Carburetor



# DAYTONA 150E ENGINE

## Owner's Manual

### PIECES OPTIONNELLES

#### CARBURETOR SETTING PARTS

**Daytona Part # 31123**

Main Jet Set (8 pcs/set) for Keihin  
#115,118,120,122,125,128,130,&132

**Daytona Part # 31124**

Main Jet Set (8 pcs/set) for Keihin  
#128,130,132,135,138,140,142,&145

**Daytona Part # 69906**

Slow Jet Set, 6pcs/set  
Air bleed type  
For Keihin PE & PWK  
#35, 38, 40, 42, 45, & 48

**Daytona Part # 65414**

JET NEEDLE

#69359 / 46JFL (+2 / Diameter of straight  $\phi$  2.465 / RICH)

#69361 / 46JFM (+1 /  $\phi$  2.475)

#69374 / 46JFN (0 /  $\phi$  2.485 / STD)

#69376 / 46JFP (-1 /  $\phi$  2.495)

#69414 / 46JFQ (-2 /  $\phi$  2.505)

#69378 / 46JFR (-3 /  $\phi$  2.515)

#69380 / 46JFS (-4 /  $\phi$  2.525 / LEAN)



\*Angle of taper = 3 deg (all)

\* Height to taper = 26.77mm(all)

**Daytona Part No.**

Throttle valve / For PE28

# 65416 (# 2.0)

# 69353 (# 2.5)

# 69354 (# 3.0)

# 69355 (# 4.0)



# DAYTONA 150E ENGINE

## Owner's Manual

### KIT PIECES RACING

---



#### ATTENTION

Since these UPGRADE KIT PARTS are designed specifically for the top competition riders, ANY FAILURES CAUSED BY THE INSTALLATION OF THESE OPTIONAL PARTS ARE NOT CONSIDERED AS THE DEFECTS OF PRODUCTS.

#### HI-COMP PISTON 2V – DT150

Daytona Part # 85043



Compression ratio 13.8:1 (Std = 12.5:1)

#### CAM SHAFT UPGRADE

Daytona Part # 84835



(A053 type / two lines)

A053 CAM Angle = 268deg / lift in = 8.67mm , ex = 8.52

(std CAM = Angle = 240deg / lift in = 7.23mm , ex = 6.81)





# DAYTONA 150E ENGINE

## Owner's Manual

### KIT PIECES RACING

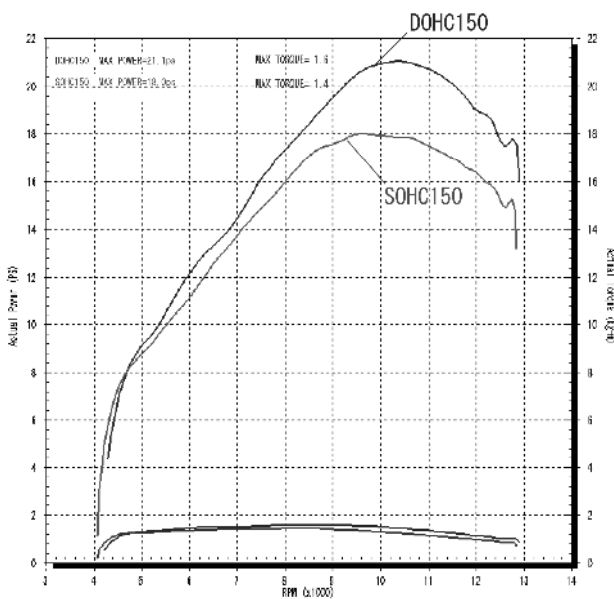
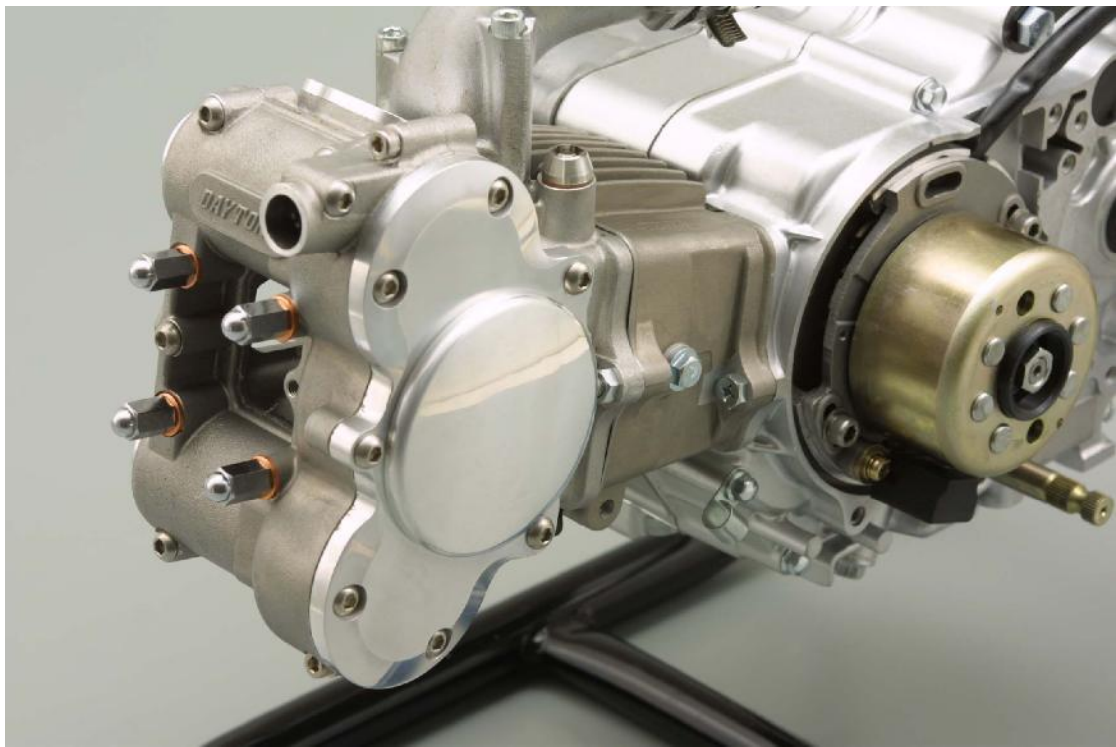


ATTENTION

Ces pièces sont conçues pour la compétition

**TOUT DOMMAGE CAUSE PAR L'INSTALLATION DE CES PIECES OPTIONNELLES NE POURRA ETRE CONSIDERE COMME ETANT UN VICE DE FABRICATION.**

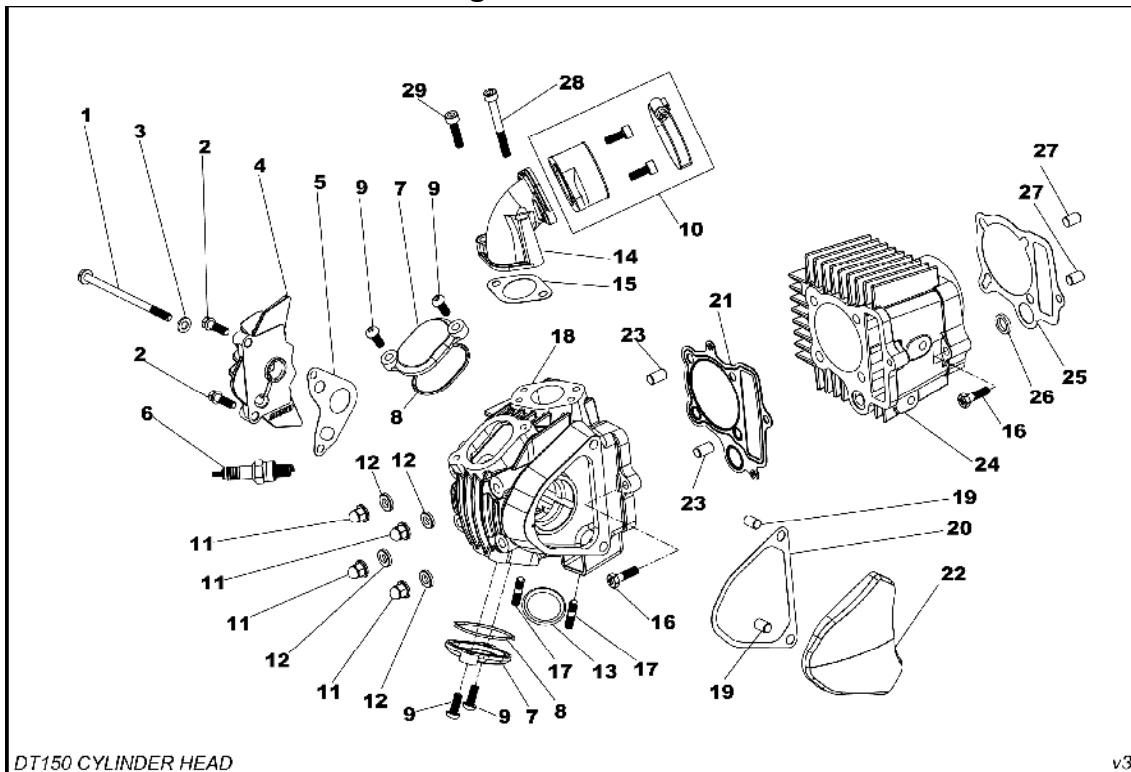
#### DAYTONA 150E ENGINE with Twin Cam Head Kit (#84427)



# DAYTONA 150E ENGINE

## Owner's Manual

### PARTS CATALOGUE (engine No. DAYTONA150E091200000- )



DT150 CYLINDER HEAD

v3

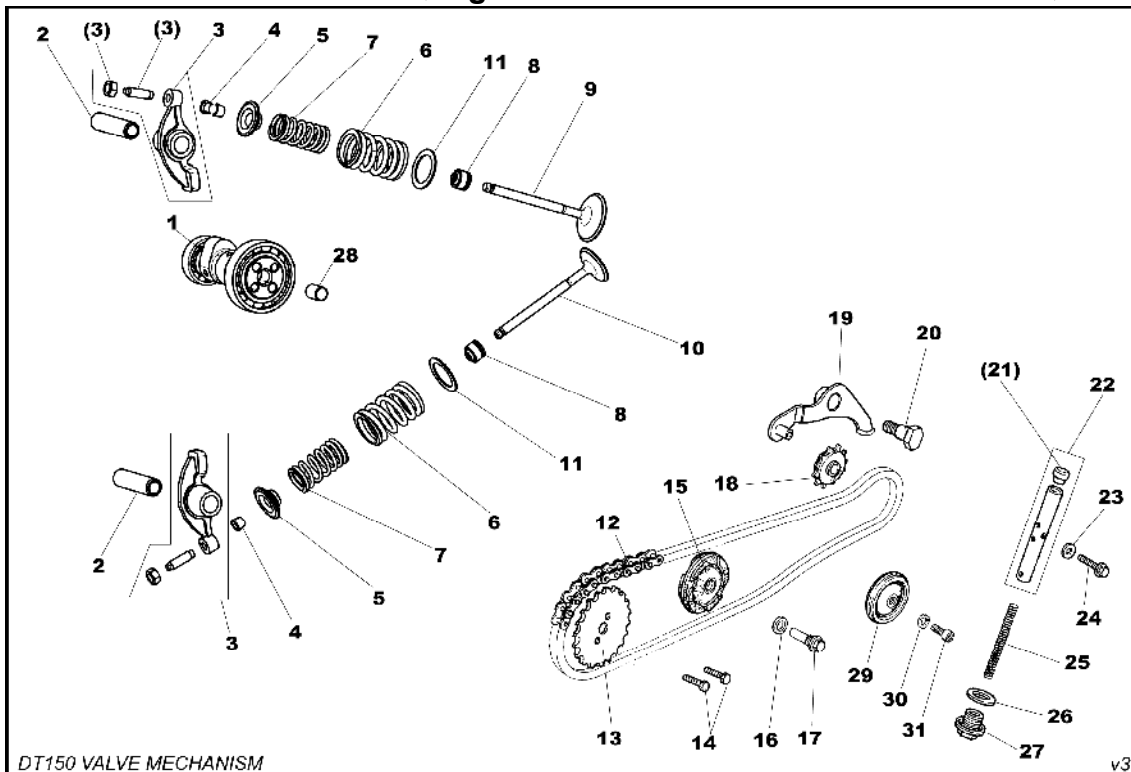
#### CYLINDER HEAD

Ref No.	Part No.	English Description	Q'ty
1	83693	BOLT M6×110	1
2	83716	BOLT M6×20	2
3	83694	WASHER 6.5×1×12	1
4	84386	COVER, R.CYLINDER HEAD SIDE	1
5	84400	GASKET, CYLINDER HEAD RIGHT COVER (t=0.5)	1
6	84650	SPARK PLUG (NGK CR8HSA type)	1
7	84667	COVER ASSY, VALVE CHAMBER	2
8	84668	O-RING, TAPPET COVER	2
9	32784	BOLT M6 x 15	4
10	46758	RUBBER MANIFOLD SET (for KEIHIN PE28)	1
11	83700	NUT M7	4
12	83702	WASHER 7.3×2.5×14(Cu)	4
13	84754	EXHAUST GASKET	1
14	84387	INTAKE MANIFOLD (for 28mm)	1
15	84358	GASKET, INTAKE (t=0.5)	1
16	83705	BOLT M6×23	2
17	83703	STUD M6×32	2
18	84362	CYLINDER HEAD (wide pitch)	1
19	83747	DOWEL PIN 8×12×6.3	2
20	84401	GASKET, CYLINDER HEAD LEFT COVER (t=0.5)	1
21	84359	GASKET, CYLINDER HEAD (t=1.0)	1
22	84385	COVER, L.CYLINDER HEAD SIDE	1
23	83709	LOCATING DOWEL 8×14×7	2
24	84363	CYLINDER (D=57 / L=75.8mm)	1
25	84360	GASKET, CYLINDER BASE (t=0.5)	1
26	83717	RUBBER GASKET	1
27	83712	DOWEL PIN 8×12×7	2
28	32788	BOLT M6×55	1
29	84402	BOLT M6×25	1

# DAYTONA 150E ENGINE

## Owner's Manual

### PARTS CATALOGUE (engine No. DAYTONA150E09120000- )



DT150 VALVE MECHANISM

v3

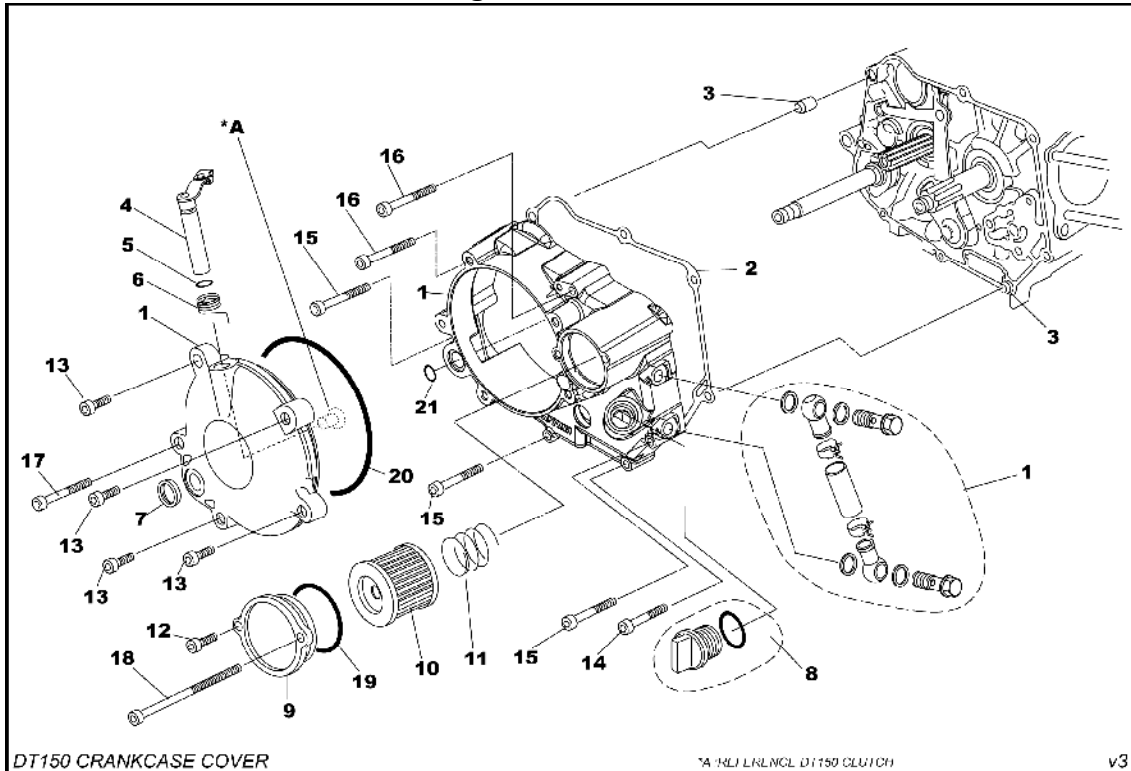
#### VALVE MECHANISM

Ref No.	Part No.	English Description	Q'ty
1	84428	CAMSHAFT COMP (A023 type)	1
(1)	84835	HIGH PERFORMANCE CAMSHAFT COMP (A053 type/ option)	(1)
2	84334	SHAFT VALVE ROCKER ARM	2
3	84669	ASSEMBLY, VALVE ROCKER ARM	2
4	26550	VALVE COTTER SET(4)	1
5	26553	RETAINER SET	1
6	84399	VALVE SPRING OUTER	2
7	84398	VALVE SPRING INNER	2
8	84336	VALVE STEM SEAL	2
9	84371	INTAKE.VALVE	1
10	84372	EXHAUST.VALVE	1
11	84670	SPRING,SEAT	2
12	84368	TIMING CHAIN ASSY (88)	1
13	83725	TIMING DRIVEN SPROCKET	1
14	83726	BOLT M5×12	2
15	84644	CHAIN GUIDE ROLLER GROUP (45)	1
16	83729	WASHER 8.5×1.5×14	1
17	83730	PIN, CAM CHAIN GUIDE ROLLER	1
18	84645	TENSIONER ROLLER ASSY	1
19	83859	TENSIONER LEVER COMP	1
20	83734	AXLE, CAM CHAIN TENSIONER LEVER	1
21	83735	CHAIN TENSIONER PUSH ROD HEAD (material=DELRIN)	(1)
22	85006	TENSIONER PUSH ROD ASSEMBLY( with DELRIN top)	1
23	83737	WASHER 6.5×1.5×12	1
24	83738	BOLT M6×18	1
25	83739	SPRING, TENSION PUSH ROD	1
26	83740	WASHER 14.2×1.5×20	1
27	83741	SEALING PLUG M14×1.5	1
28	83747	LOCATING DOWEL 8×12X6.3	1
29	84643	OIL PUMP DRIVEN SPROCKET	1
30	84671	WASHER(FOR CHAIN ROLLER SIDE)	1
31	84672	SCREW,OIL PUMP SPROCKET	1

# DAYTONA 150E ENGINE

## Owner's Manual

### PARTS CATALOGUE (engine No. DAYTONA150E09120000- )



DT150 CRANKCASE COVER

TA 150 LRLNCL D1150 CLUTCH

v3

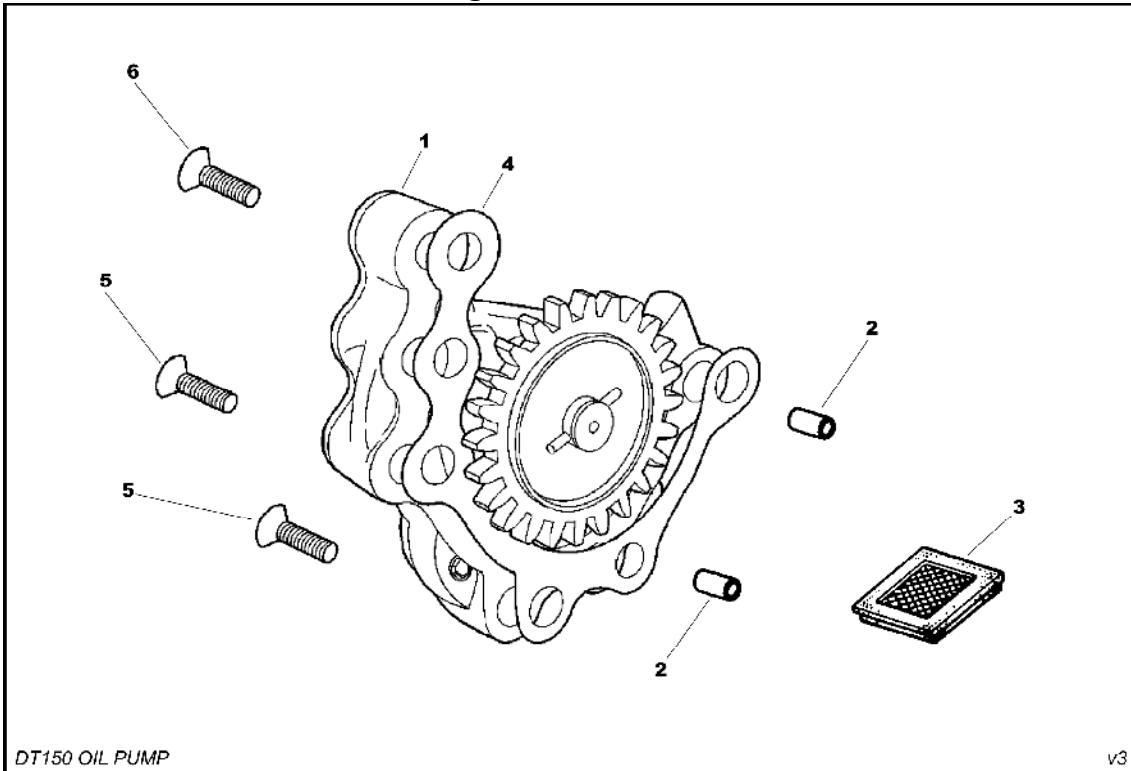
#### CRANKCASE COVER

Ref No.	Part No.	English Description	Q'ty
1	84219	CRANK CASE COVER ASSY	1
2	84673	GASKET, R.CRANKCASE COVER (for DT150)	1
3	83747	LOCATING DOWEL 8x12x6.3	2
4	83742	CLUTCH LEVER	1
5	84229	O-RING,P9	1
6	83743	CLUTCH LEVEL SPRING	1
7	83767	OIL SEAL 13.8x24x5,KICK SHAFT	1
8	84674	OIL RULER	1
9	84220	COVER,OIL FILTER	1
10	83489	OIL FILTER	1
11	83839	OIL FILTER SPRING	1
12	32784	BOLT M6×15	1
13	32785	BOLT M6×20	4
14	84642	BOLT M6×45	1
15	32787	BOLT M6×50	3
16	32788	BOLT M6×55	2
17	32790	BOLT M6×75	1
18	32792	BOLT M6×132	1
19	84226	O-RING,G45	1
20	84227	O-RING,G120	1
21	84228	O-RING,P14	1

# DAYTONA 150E ENGINE

## Owner's Manual

### PARTS CATALOGUE (engine No. DAYTONA150E09120000- )



DT150 OIL PUMP

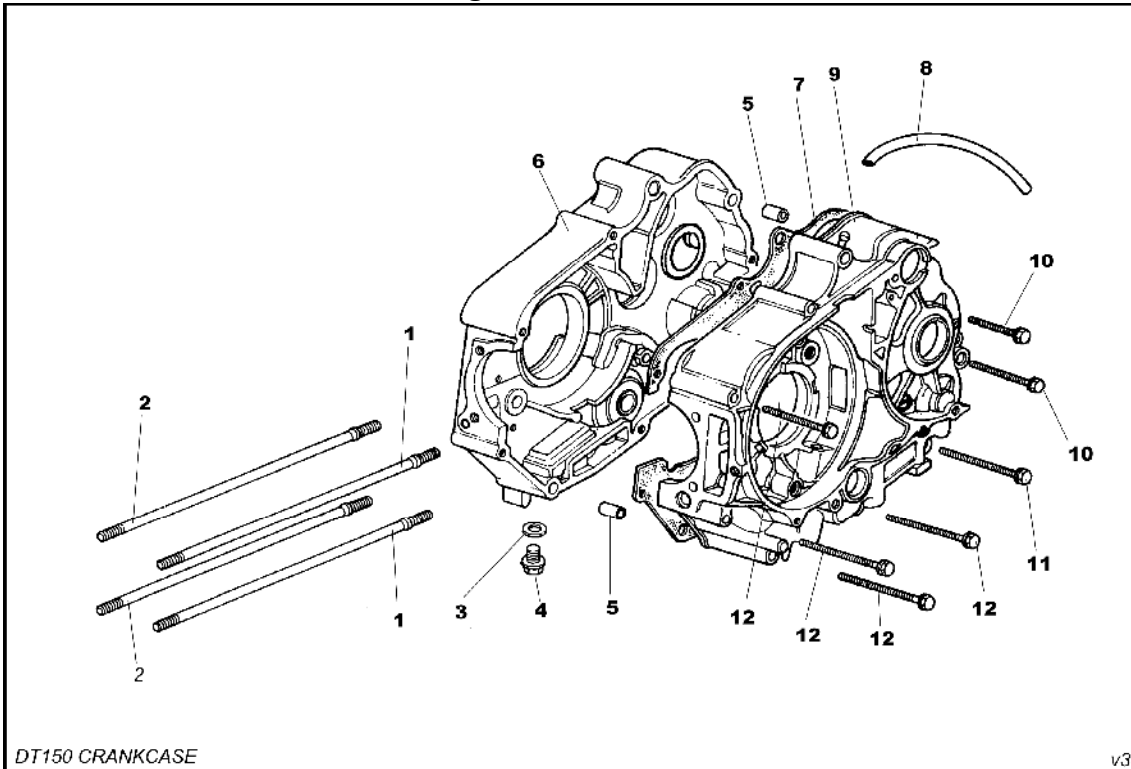
v3

OIL PUMP			
Ref No.	Part No.	English Description	Q'ty
1	84675	OIL PUMP COMPONENT	1
2	83747	LOCATING DOWEL 8×12X6.3	2
3	83751	OIL FILTER SCREEN ASSY	1
4	84676	GASKET, OIL PUMP	1
5	84677	SCREW M6×40	2
6	84678	SCREW M6×35	1

# DAYTONA 150E ENGINE

## Owner's Manual

### PARTS CATALOGUE (engine No. DAYTONA150E09120000- )

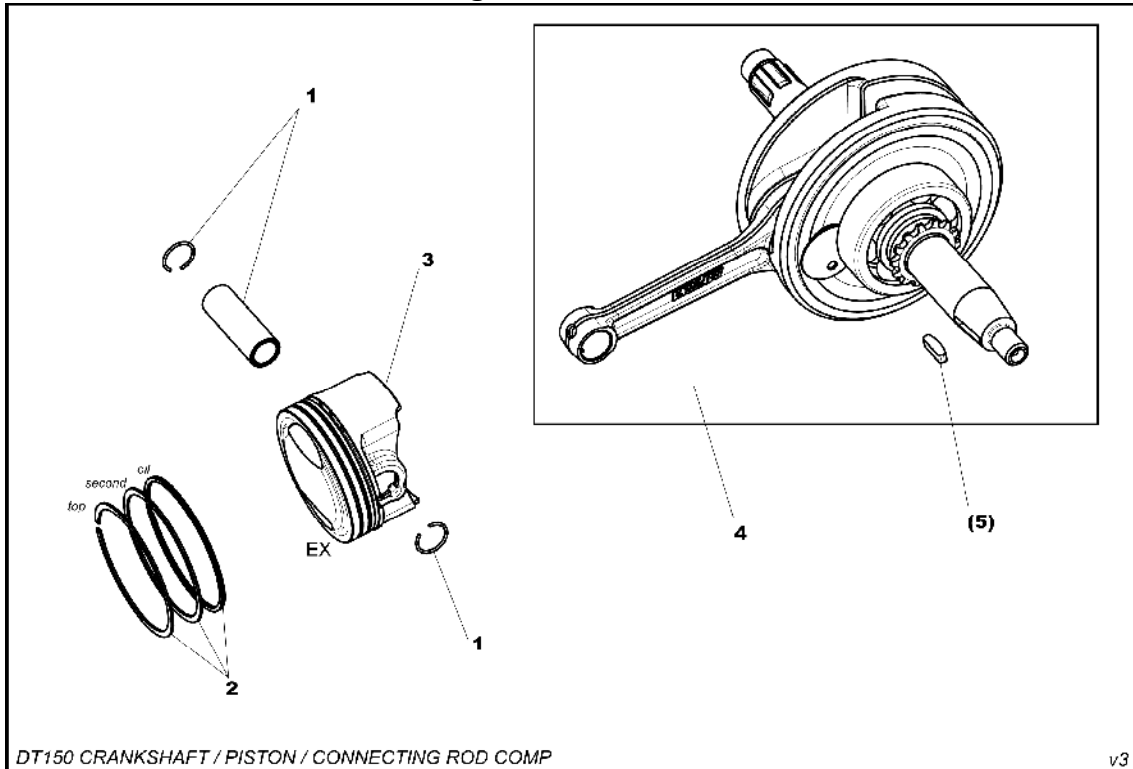


CRANKCASE			
Ref No.	Part No.	English Description	Q'ty
1	84679	STUD BOLT A (L217)	2
2	84680	STUD BOLT B (L209)	2
3	83755	OIL DRAIN PLUG M12×1.5	1
4	83754	WASHER 12.5×1.5×20	1
5	83720	LOCATING DOWEL 10×14	2
6	84681	RIGHT SIDE CRANK CASE(SMALL HOLE)	1
7	84682	GASKET, CRANKCASE	1
8	83758	TIE-IN, BREATHER TUBE	(1)
9	84683	LEFT SIDE CRANK CASE(SMALL HOLE)	1
10	83759	BOLT M6×60	2
11	83760	BOLT M6×45	1
12	83761	BOLT M6×65	4

# DAYTONA 150E ENGINE

## Owner's Manual

### PARTS CATALOGUE (engine No. DAYTONA150E091200000- )



DT150 CRANKSHAFT / PISTON / CONNECTING ROD COMP

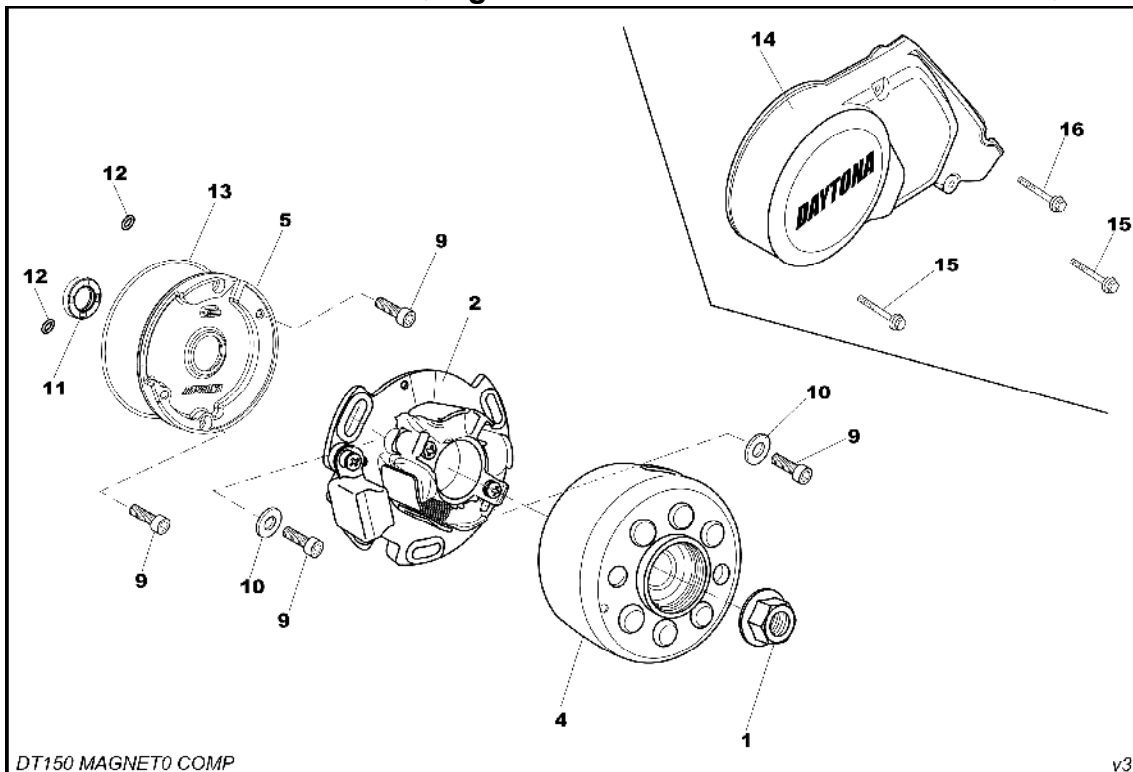
v3

CRANKSHAFT/PISTON/CONNECTING ROD COMP			
Ref No.	Part No.	English Description	Q'ty
1	82924	PISTON PIT & CLIP, PISTON PIN(2)	1
2	84397	PISTON RING COMP	1
3	84361	PISTON 57mm (STD)	1
(3)	85043	HIGH COMPRESSION PISTON 57mm (option)	(1)
4	84364	CRANKSHAFT COMP.CONNECTING ROD	1
5		SEMICIRCULAR KEY 4×12.5	(1)

# DAYTONA 150E ENGINE

## Owner's Manual

### PARTS CATALOGUE (engine No. DAYTONA150E091200000- )



DT150 MAGNETO COMP

v3

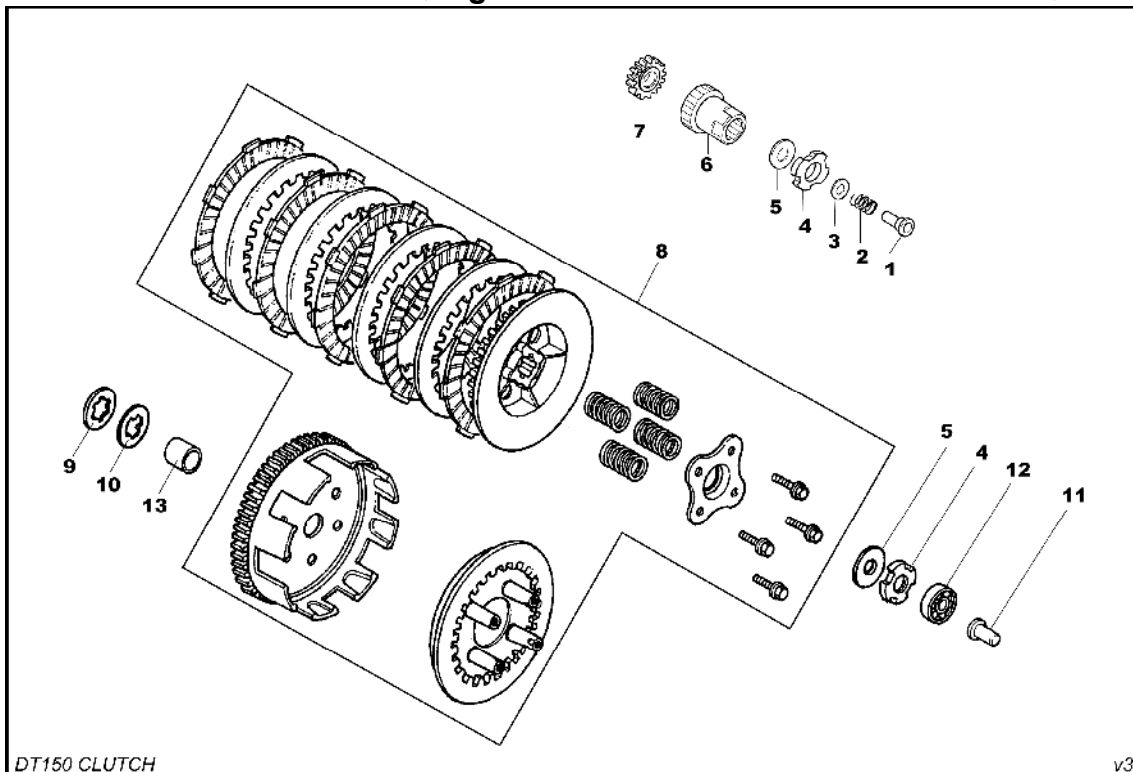
MAGNETO COMP			
Ref No.	Part No.	English Description	Q'ty
1	83763	NUT	1
2	83722	STATOR COIL	1
3	83744	WIRING	1
4	83762	ROTOR	1
5	84199	BASE PLATE	1
6	84200	CDI	1
7	84201	IG COIL	1
8	84202	PLUG CAP	1
9	32784	BOLT M6×15	4
10	84225	WASHER M6 (SUS)	2
11	83907	OIL SEAL,MAGNET ROTATOR	1
12	84221	O-RING 6.5×1.8	2
13	84222	O-RING 106.8×2	1
14	84684	MAGNET COVER(WITH LOGO)	1
15	84685	BOLT M6 X 28	2
16	84686	BOLT M6 X 35	1



# DAYTONA 150E ENGINE

## Owner's Manual

### PARTS CATALOGUE (engine No. DAYTONA150E09120000- )



DT150 CLUTCH

v3

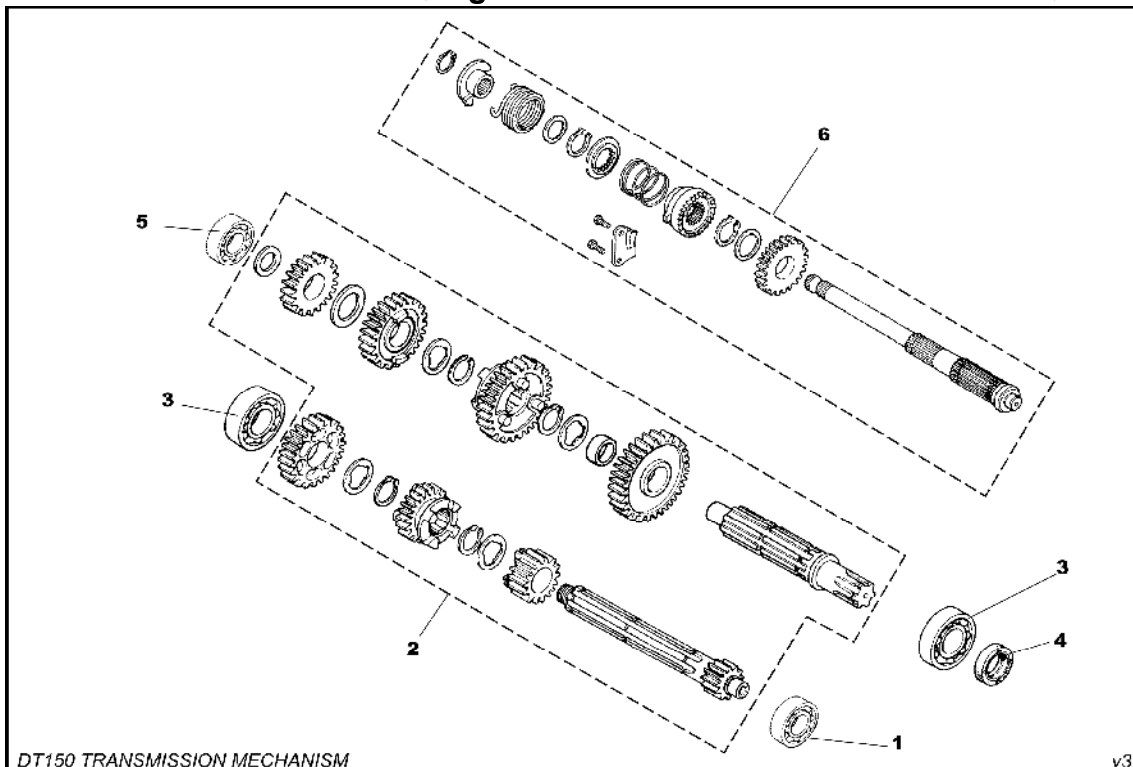
#### CLUTCH

Ref No.	Part No.	English Description	Q'ty
1	84309	OIL THROUGH	1
2	83714	SPRING, OIL THROUGH	1
3	84225	WASHER M6 (SUS)	1
4	83768	LOCK NUT M14×1 (D22xM14xP1.0 / small type)	2
5	83769	SPRING WASHER (D24x14.2xT0.8)	2
6	84687	DRIVE GEAR 18T	1
7	84688	PUMP DRIVE GEAR	1
8	84865	CLUTCH ASSEMBLY (Rainforced 5DISK+HARD SPG) / 67T	1SET
9	83772	SPRING WASHER, CLUTCH	1
10	83773	FIXING RING, CLUTCH	1
11	83787	PUSH ROD, CLUTCH (L=15.5mm)	1
12	83786	BEARING (6000)	1
13	83774	SLEEVE, CLUTCH	1

# DAYTONA 150E ENGINE

## Owner's Manual

### PARTS CATALOGUE (engine No. DAYTONA150E09120000- )



TRANSMISSION MECHANISM			
Ref No.	Part No.	English Description	Q'ty
1	83788	BEARING (6001)	1
2	84864	GEAR,ASSEMBLY (MAIN & COUNTER) / DT150BS type	1
3	83795	BEARING (6203)	2
4	83796	OIL SEAL 17×29×5	1
5	83808	BEARING (6201)	1
6	84690	KICK STARTING ASSEMBLY (pinion=23T)	1

	1st	2nd	3rd	4th
MAIN	13	17	20	23
COUNTER	34	29	26	24
	(2.6153)	(1.7058)	(1.3000)	(1.0434)

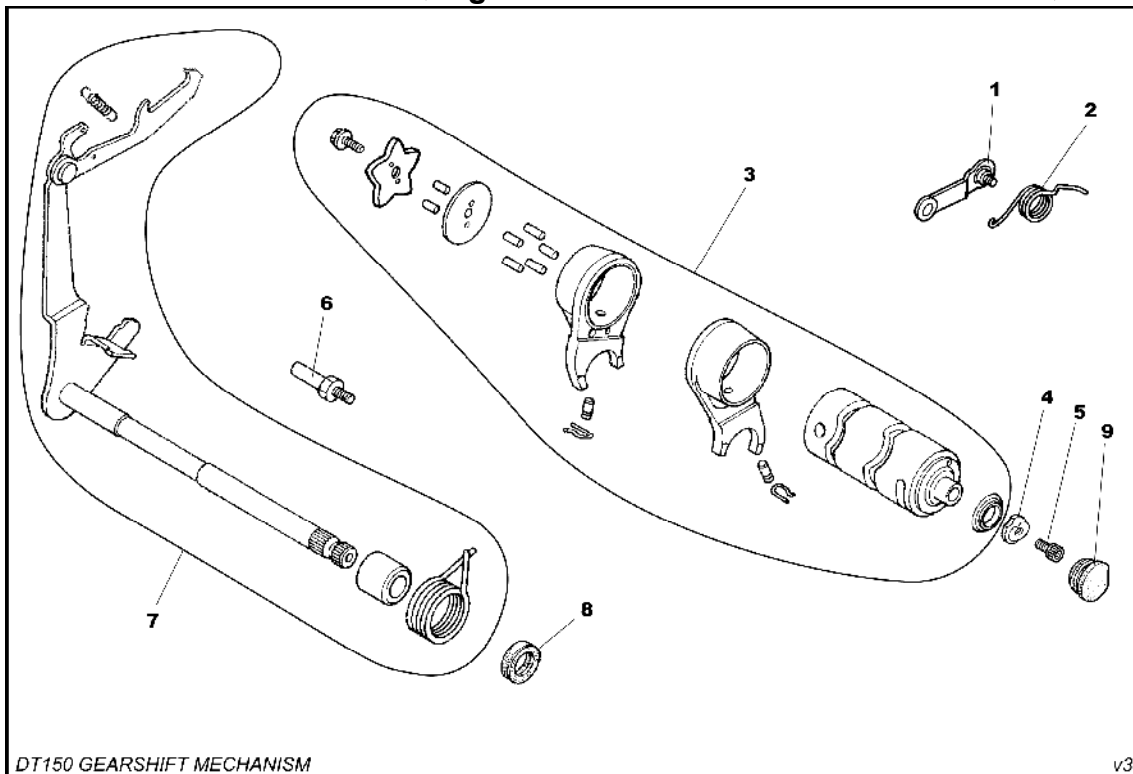
## WARNING

84864 GEAR,ASSEMBLY(DT150BS) ---- ONLY FOR USE 84866 SHIFT DRUM(DT150BS)

# DAYTONA 150E ENGINE

## Owner's Manual

### PARTS CATALOGUE (engine No. DAYTONA150E09120000- )



DT150 GEARSHIFT MECHANISM

v3

#### GEARSHIFT MECHANISM

Ref No.	Part No.	English Description	Q'ty
1	83822	LOCATING PLATE UNIT	1
2	83823	SPRING, LOCATING PLATE	1
3	84866	ASSEMBLY, GEAR SHIFT DRUM (for DT150BS type)	1
4	83833	CONTACT, GEAR INDICATION	1
5	83824	BOLT M6×16	1
6	83836	BOLT M8×11	1
7	84391	ASSEMBLY, GEARSHIFT LEVER	1
8	83837	OIL SEAL 11.6×24×10	1
9	83679	RUBBER PLUG	1

4866 ASSEMBLY, GEAR SHIFT DRUM (for DT150BS type)  
 Gearshift pattern | N - 1 - 2 - 3 - 4